

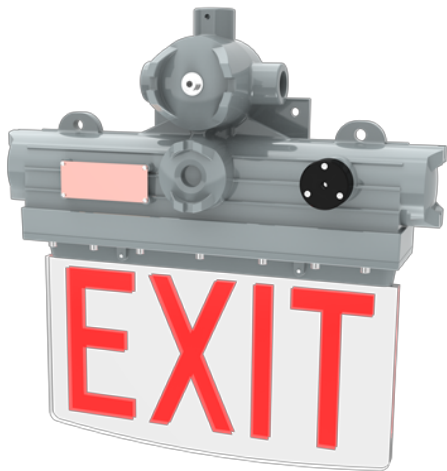
Durable Lighting Made for Industrial Safety



Hazardous Location LED Luminaire B Series (Zone 2 & Class I Division 2)

Specsheet-2023-07 EN





J Series - Page. 5-6

Marking UL844

- Class I, Division 1, Groups B, C, D
- Class I, Division 2, Groups A, B, C, D
- Class II, Division 1, Groups E, F, G
- Class II, Division 2, Groups F, G
- Class III
- UL924
- UL 121201/CSA NO.213
- CSA C22.2 No.137-18

ES03 Series Page. 7-11

Marking UL844

- Class I, Division 1, Groups B, C, D
- Class I, Division 2, Groups A, B, C, D
- Class II, Division 1, Groups E, F, G
- Class II, Division 2, Groups F, G
- Class III
- UL924
- IK10 / IK08



B Series Page. 12- 25

Marking Atex

II2 G Ex mb eb IIC T4 Gb
II2 D Ex tb IIIC T135°C Db IP66
II3 G Ex ec IIC T3 Gc
II2 D Ex tb IIIC T85°C Db IP66

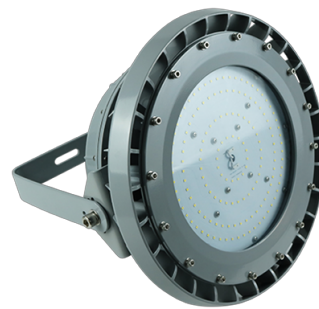
Marking IECEX

Ex mb eb IIC T4 Gb
Ex tb IIIC T135°C Db IP66
Ex ec IIC T3 Gc
Ex tb IIIC T85°C Db IP66

Marking UL844

Class I, Division 2, Groups A, B, C, D
Class II, Division 1, Groups E, F, G
Class II, Division 2, Groups F, G
Class III

Marine Marking
UL1598, UL1598A
ABS
IP 66



C Series Page. 26 - 36

Marking Atex

II2 G Ex db op is IIB T5/T6 Gb
II2 D Ex op is tb IIIC T80/90°C Db
IP66

Marking IECEX

Ex db op is IIB T5/T6 Gb
Ex op is tb IIIC T80/90°C Db IP66

Marking UL844

Class I, Division 1, Groups C, D
Class I, Division 2, Groups A, B, C, D
Class II, Division 1, Groups E, F, G
Class II, Division 2, Groups F, G
Class III

Marine Marking
UL 1598, UL1598A
ABS
IP 66
IK 10



A Series Page. 37- 49

Marking Atex

II 3 G Ex ec IIC T3 Gc
II 2 D Ex tb IIIC T103°C Db IP66 II 2
G DIV mb eb IIC T3 Gb
II 2 D EX tb IIIC T125°C Db IP66

Marking IECEX

Ex ec IIC T3 Gc
Ex tb IIIC T103°C Db IP66
DIV mb eb IIC T3C Gb
DIV tb IIIC T125°C Db IP66

Marking UL844

Class I, Division 2, Groups A, B, C, D
Class II, Division 1, Groups E, F, G
Class II, Division 2, Groups F, G
Class III

ABS
IP 66



D Series Page. 50 - 58

Marking UL844

Class I, Div. 1, Groups C, D
Class I, Div. 2, Groups A, B,C,DC
lass II, Div. 1, Groups E,F,G
Class II, Div. 2, Groups F,G
Class III
IP 66 / IK 10



O Series Page. 59- 67

Marking Atex

II 2 G Ex eb mb IIC T6 Gb
 II 2 D Ex tb IIIC T80 Db IP66

Marking IECEX

Ex Eb mb IIC T6 Gb
 Ex tb IIIC T80 Db IP66

Marking UL844

Class I, Division 2, Groups A, B, C,
 D

Class II, Division 2, Groups F, G

Class III

UL 1598A

NEMA 3, 4X, IP66



G Series Page. 68-75

Marking UL844

Class I, Division 1, Groups C, D

Class I, Division 2, Groups A, B, C, D

Class II, Division 1, Groups E, F, G

Class II, Division 2, Groups E, F, G

Class III

UL 1598A

IECEX

ATEX

CSA C22.2 No.137/No.250.0

NEMA 4X, IP66

IK10



H Series Page. 76-84

Marking Atex

II3 G Ex ec IIC T5/T6 Gc
 II2 D Ex tb IIIC T80/100°C Db
 IP66

Marking IECEX

Ex ec IIC T5/T6 Gc
 Ex tb IIIC T80/100°C Db IP66

Marking UL844

Class I, Division 2, Groups A, B, C,
 D

Class II, Division 1, Groups E, F, G

Class II, Division 2, Groups F, G

Class III

UL1598, UL1598A

ABS

IP 66

IK 10



I Series Page. 85- 93

Marking Atex

II2 G Ex db op is IIB T4/T5 Gb
 II2 D Ex op is tb IIIC T135°C Db
 IP66

Marking IECEX

Ex db op is IIB T4/T5 Gb
 Ex op is tb IIIC T135°C Db IP66

Marking UL844

Class I, Division 1, Groups C, D
 Class I, Division 2, Groups A, B, C,
 D

Class II, Division 1, Groups E, F, G

Class II, Division 2, Groups F, G

Class III

UL1598, UL1598A

ABS

IP 66



R Series Page. 94- 98

Marking UL844

Class I, Division 2, Groups A, B, C,
D

Class II, Division 2, Groups F, G

Class III

Marking Atex

I 2GD

Ex db eb mb IIC T6/T5 Gb

Ex tb IIIC T80°C/T95°C Db IP66

Marking IECEx

Ex db eb mb IIC T6/T5 Gb

Ex tb IIIC T80°C/T95°C Db IP66

UL 1598 / UL 1598A / UL 8750 /

UL924

ABS

IP66/IP67 IK10



FLF Series Page. 99- 106

Marking UL 844

Class I Division 2, Group A, B, C,
D

Marking ATEX

II 2 G Ex eb mb IIC T6...T4 Gb

II 2 D Ex tb IIIC T80°C...T120°C
Db

Marking IECEx

Ex eb mb IIC T6...T4 Gcb

Ex tb IIIC T80°C..T120°C Db

IP66 / IK10

UL 924

CSA C22.2#141-15, Ed.5

CSA C22.2#137:2018 Ed.2

ABS



DIV SeriesV Page. 107-112

Marking UL844

Class I, Division 2 Groups A, B, C,
D

Class II, Division1 Groups E, F, G

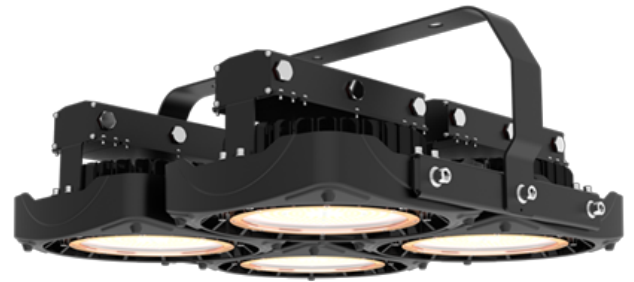
Class II, Division 2 Groups F, G

Class III

Marking ATEX & IECEx

II2 G Ex eb mb IIC T5/T6 Gb

II2 D Ex tb op is IIIC T95/80°C Db
IP66/ IP67 / IK10



High-Temperature High Bay Page. 133-118

Marking UL1598

CSA C22.2#250.0:2021 Ed.5+U1

J Series

Explosion Proof Edge Lit LED Exit Sign



Features:

- Low energy consumption.
- 3-hour emergency operation.
- Alternate exit legend and languages available.
- Provided with 3/4" NPT or M25 conduit hubs.
- Long lifespan up to 50,000 hours.
- Edge-lit sign.
- Ingress protection rating IP66.

Two Options of Function:

- Model 1: EXIT sign remains on with or without mains electricity.
- Model 2: EXIT sign does not light up when there is mains electricity, but only lights up when there is a power outage.

Specifications:

Universal Input Voltage

100-277VAC or 100-347VAC, 50/60Hz

Rated Wattage

1W, 2W, 3W, 4W, 5W

Emergency Time

3H

Warranty

5-year limited warranty

Temperature Rating (Ambient)

14°F to +140°F (-10°C to +60°C)

Explanation of Indicator Light:



Image: RGY three-color indicator light

- If three or two indicator lights remain on during initial power on, it is necessary to reset them by detecting the switch: press the switch "ON" for 5 to 6 seconds ->OFF ->ON.
- **RED:**
 1. Fast charging for 2 hours.
 2. Charging indicator, displaying 20% -80% battery capacity.
- **GREEN:**
 1. Trickle charging.
 2. Charging indicator, displaying 80% -100% battery capacity.
 3. Green light on when disconnecting the battery.
- **RED and GREEN:**

Red and Green flashes alternately for 5 minutes, indicating that it is at 80% battery capacity.
- **YELLOW:**
 1. Discharge below 20%.
 2. If the yellow light is on in any state, the product is out of order.

Description of Switch:

- 1. Press the switch "ON" once, the EXIT sign and indicator light will flash once, with an ON/OFF interval of 10 seconds.
- 2. With mains electricity disconnected, long press and hold the switch for 3 to 5 seconds to turn off the product. If the EXIT sign needs to be turned on again, it will be activated through mains electricity.
- 3. The product will automatically have monthly inspection. EXIT sign and indicator light will flash once every 30 or 31 days.
- 4. The product will automatically have an annual inspection. EXIT sign and indicator light will flash twice every year.



Image: Magnetic switch

Standard Materials:

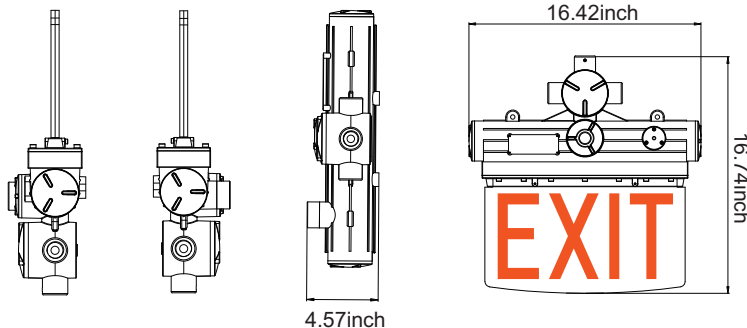
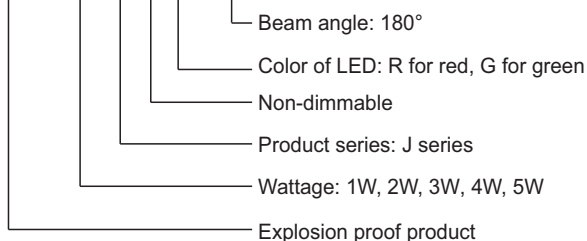
- Housing: A356T6 aluminum with baked-on gray epoxy finish
- Gasket: One-piece silicone
- Hardware: Stainless steel
- Mounting Sling: Stainless steel
- EXIT Sign Plate: Tempered glass

J Series Explosion Proof Edge Lit LED Exit Sign

Model Encoding:

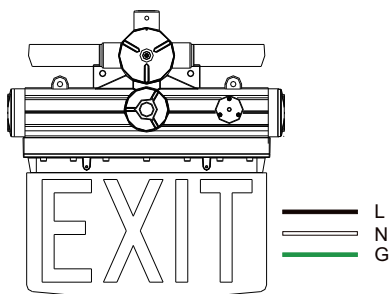
Dimension:

EX- * W J N * D180

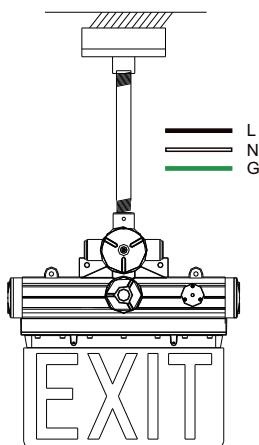


Mounting Methods and Accessories:

Wall Mounting:



Pendant Mounting:

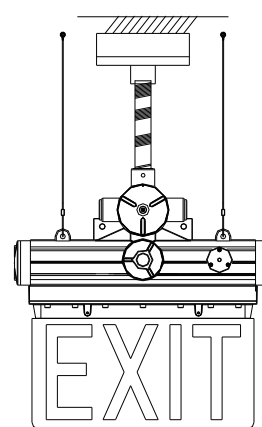


- Model: DIV-Straight Pipe
Name: Straight Pipe
Material: Iron



- Model: DIV-HD51-KBI Name: Junction Box
Material: Aircraft Aluminum A383

Pendant with Safe Wires:



- Model: DIV-Straight Pipe
Name: Straight Pipe
Material: Iron



- Model: DIV-HD51-KBI Name: Junction Box
Material: Aircraft Aluminum A383



- Model: DIV-Straight Chain
Name: Pendant Chain
Material: Stainless Steel S30400



- Model: DIV-Hook
Name: Installation Hook
Material: Aircraft Aluminum A383

Packing Information:

Model	Quantity/Carton	Packing Size	Net Weight	Gross Weight
J Series	2 Pcs	18.50x18.50x10.24inch/470x470x260mm	6.0 kg/13.23 lbs	14.0 kg/30.86 lbs

ES03

LED Emergency Lighting and Exit Sign for Hazardous Locations



Fig. 1

Classifications:

- ◆ Class I, Division 1, Groups C, D
- ◆ Class I, Division 2, Groups A, B, C, D
- ◆ Class II, Division 1, Groups E, F, G
- ◆ Class II, Division 2, Groups F, G
- ◆ Class III
- ◆ UL 844 Hazardous Locations
- ◆ UL 924 Emergency Lighting
- ◆ UL 1598A Marine Outside Type
- ◆ UL 1598 Wet Locations
- ◆ UL 8750 LED Safety
- ◆ ETL
- ◆ NEMA 4X
- ◆ IP66 / Wet Locations
- ◆ Impact level: IK10 (enclosure); IK08 (glass)

Key Features:

- ◆ Label content can be customized.
- ◆ Low working wattage for energy saving.
- ◆ Independent battery backup system for exit sign (1W-5W) and spot lights (10W-18W).
- ◆ Edge-lit sign.
- ◆ Two high-lumen spot lights can be adjusted in horizontal and vertical directions.
- ◆ 3-hour emergency operation.
- ◆ Hinged access door.
- ◆ The LED circuit board and driver are not replaceable on site.

Additional Features:

- ◆ Beam angle: 90° or 120°; lamp adjustable angle: 0° to 180°.
- ◆ 3/4" NPT or M25 conduit hubs.
- ◆ Red, yellow, green or other LED options.
- ◆ Working temperature: -40°F to 149°F.
- ◆ Long lifespan up to 50,000 hours.
- ◆ 5-year warranty.

LED Emergency Lighting and Exit Sign - ES03

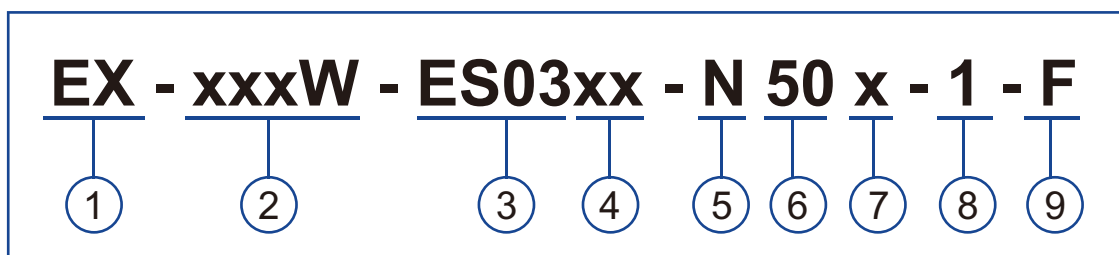
Standard Materials:

- ◆ Sign Panel: Glass
- ◆ Mounting Sling: Stainless steel
- ◆ Hardware: Stainless steel
- ◆ Exit sign: Tempered glass
- ◆ Housing: A360 Die-casting aluminum



Fig. 2
(with spherical guard)

Catalog Number Logic:



① **PRODUCT CATEGORY**

- ◆ Explosion proof product

② **WATTAGE**

- ◆ 4.5W-22W

③ **PRODUCT SERIES**

- ◆ ES03

④ **PRODUCT TYPE**

- ◆ Y=A1: Emergency Light
- ◆ Y=A2: Emergency Light + Escape Sign
- ◆ Y=A3: Escape Sign
- ◆ Y=A4: Emergency Power
- ◆ Y=C1: Emergency Light
- ◆ Y=C2: Emergency Power

⑤ **DIMMING OPTION**

- ◆ N: Non-dimmable

⑥ **CCT**

- ◆ R: red, G: green
- ◆ 30: 3000K, 40: 4000K, 50: 5000K, 65: 6500K (optional)

⑦ **SIGN TYPES**

- ◆ A: EXIT
- ◆ E: ↓
- ◆ I: ↘
- ◆ B: ←
- ◆ F: ↙
- ◆ J: ← EXIT
- ◆ C: ↑
- ◆ G: ↗
- ◆ K: EXIT →
- ◆ D: →
- ◆ H: ↗

⑧ **PLACE OF ORIGINAL**

- ◆ 1: Made in USA
- ◆ 0: Made in other countries

⑨ **OPTIONAL**

- ◆ F: Food industry (equipped with spherical guard made of tempered glass, refer to the above Fig. 2.)
- ◆ Blank: Other fields

Packing Information:

Model	Quantity/Carton	Packing Size	Net Weight	Gross Weight
ES03A (Without Sign)	1 Pc	22.28x20.67x11.45inch	44.09 lbs	48.50 lbs
ES03A (With Sign)	1 Pc	29.13x22.28x11.45inch	55.12 lbs	59.52 lbs
ES03C (Without Sign)	1 Pc	16.93x16.69x10.87inch	17.64 lbs	20.94 lbs

LED Emergency Lighting and Exit Sign - ES03

Dimensions & Technical Data:

Unit: inch

Type YJ: Junction Box and Emergency Battery backup Box

			Housing	Model Number	Input
			Model C	EX-PD6101-YJ01 ES03C2	Max AC800V Currency Cable Cross Section:2.5mm ² 24A Cable Cross Section:4.0mm ² 32A Cable Cross Section:6.0mm ² 41A Cable Cross Section:10mm ² 57A Cable Cross Section:16mm ² 76A Cable Cross Section:35mm ² 125A Cable Cross Section:70mm ² 192A Cable Cross Section:240mm ² 400A
			Model A	EX-PD6101-YJ01 ES03A4	

Type 1: Battery Backup + Luminaire (two pieces of spot light)

			Housing	Model Number	Wattage	Lumens (lm)	Input
			Model C	EX-3W ES03C1XN50	3W	285	AC100-277V (by driver and by IC)
				EX-5W ES03C1XN50	5W	475	
				EX-10W ES03C1XN50	10W	900	
			Model A	EX-3W ES03A1XN50	3W	285	AC100-277V (by driver and by IC) Or DC12-48V
				EX-5W ES03AX1N50	5W	475	
				EX-8W ES03AX1N50	8W	720	
				EX-10W ES03AX1N50	10W	900	

Type 2: Battery Backup + Luminaire + Exit Sign

			Housing	Model Number	Wattage	Lumens (lm)	Input
			Model A	EX-3W ES03A2XN50	3W	285	AC100-277V (by driver and by IC) Or DC12-48V
				EX-5W ES03A2XN50	5W	475	
				EX-8W ES03A2XN50	8W	720	
				EX-10W ES03A2XN50	10W	900	

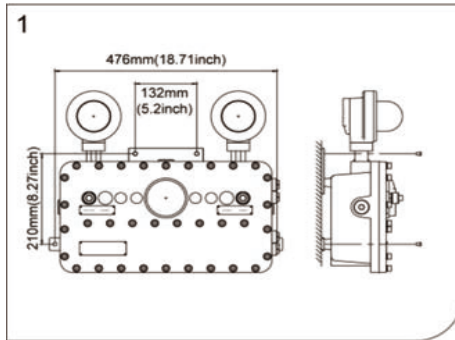
Type 3: Battery Backup + Exit Sign

			Housing	Model Number	Wattage	Lumens (lm)	Input
			Model A	EX-3W ES03A3XN50	3W	285	AC100-277V (by driver and by IC) Or DC12-48V
				EX-5W ES03A3XN50	5W	475	
				EX-8W ES03A3XN50	8W	720	
				EX-10W ES03A3XN50	10W	900	

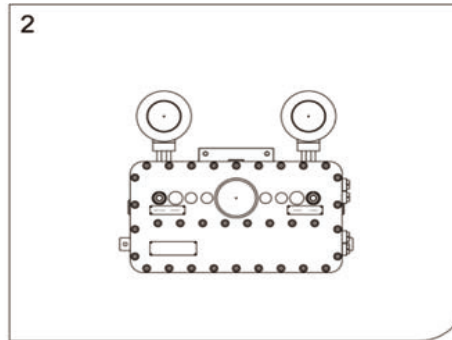
LED Emergency Lighting and Exit Sign - ES03

Mounting Instructions:

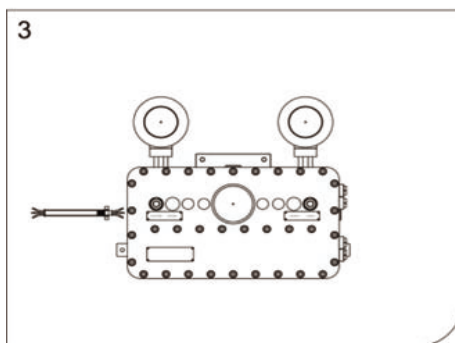
1. Wall mounting (Turn off the power before installation)



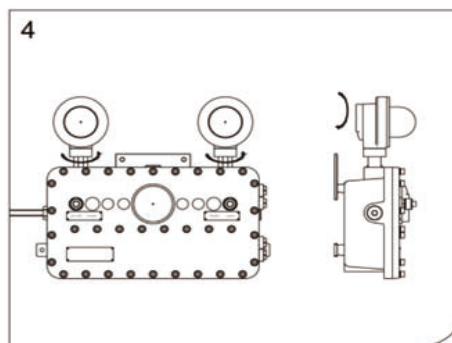
Drill two holes as fig. 1, the distance as per 476mm (18.74inch) and 132mm (5.19inch).



Fix with four 5/16-inch expansion screws.

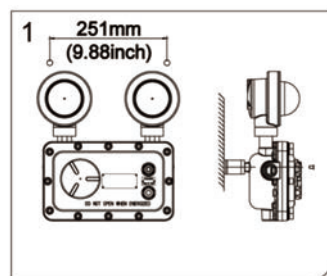


Install pipe to 3/4 NPT entry and fix 16mm (0.63inch) Chico A.

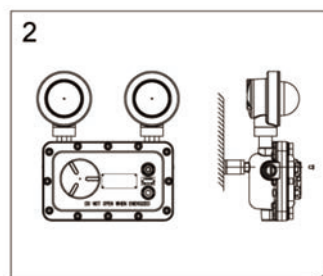


Connect the AC cable: black cable joins to L, white cable joins to N, green cable joins to grounding.

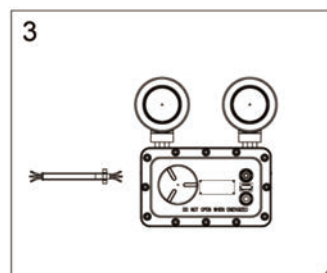
2. Wall mounting (Turn off the power before installation)



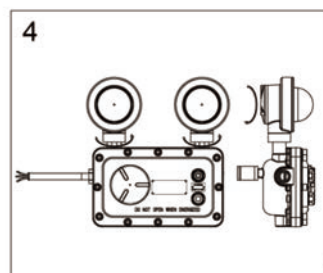
Drill two holes as fig. 1, the distance as per 251mm (9.88inch).



Fix two M10 expansion screws.



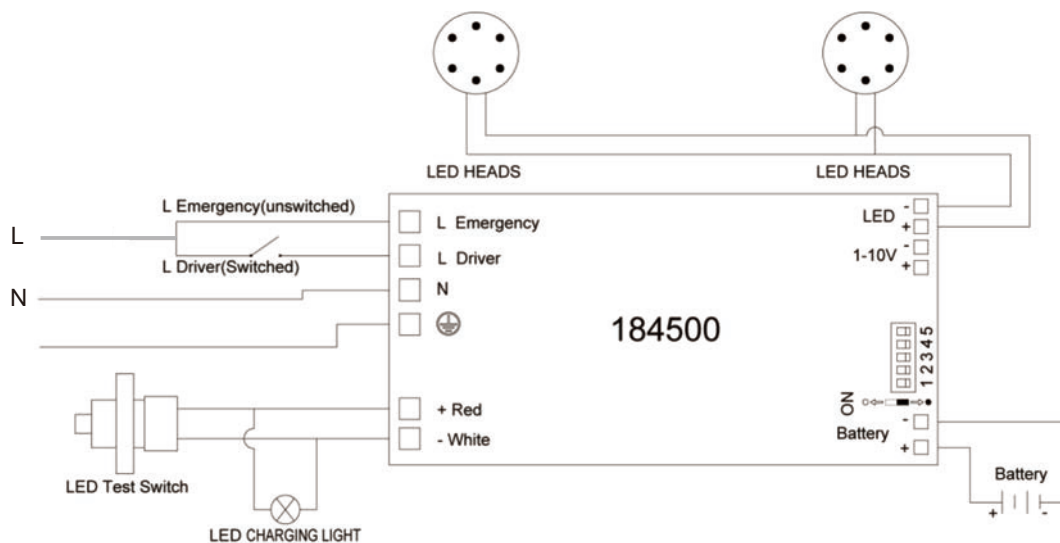
Install pipe to 3/4 NPT entry and fix 19mm (0.75inch) Chico A.



Connect the AC cable: black cable joins to L, white cable joins to N, green cable joins to grounding.

LED Emergency Lighting and Exit Sign - ES03

Wiring Diagram:



Accessory:



Model: Ex-arm
Name: Mounting Arm
Material: Aluminum



B2



B



B3



B4



Convex Glass
(Optional)



Globe Glass with Wire Guard
(Optional)



Product Description

The B Series LED luminaire is the ideal choice for marine and hazardous applications. They can be used in locations where moisture, dirt, dust, corrosion and vibration may be present, or areas where wind, water, snow or high ambient can be expected.

Features

- 0-10V dimming
- High luminous efficacy - Up to 140 lumens per watt
- Battery backup function available
- Compact and robust structure, excellent reliability
- Various installation ways for different applications
- Great impact resistance with IK08/IK10 certified

Compliance

ATEX Standard:

⊕ II 3G Ex ec IIC T6...T3 Gc

⊕ II 2D Ex tb IIIC T85°C...T103°C Db

IECEX Standard:

Ex ec IIC T6...T3 Gc

Ex tb IIIC T85°C...T100°C Db

Zone 2, 21, 22

NSF

UL 844 Hazardous Locations

Class I Division 2, Group A, B, C, D

Class II Division 1, Group E, F, G

Class II Division 2, Group F, G

Class III

Class I, Zone 2, Group IIC

Class II, Zone 21, Group IIIC

UL 1598 Wet Locations

UL 1598A Marine Outside Type

UL 924 Emergency Lighting

ETL (ATM for Report 105342415DAL-001)

ABS

NSF

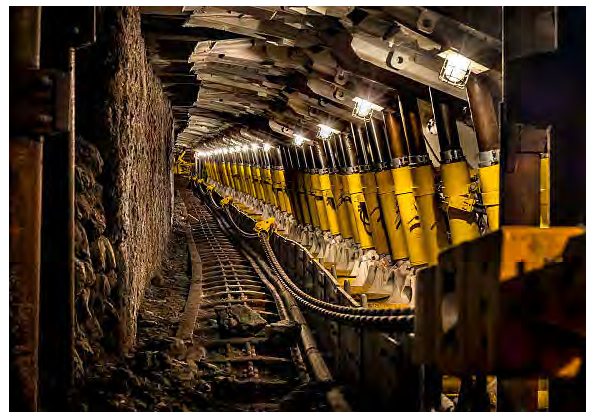
DLC*

IP66/IP67

IK08 (glass cover)

IK10 (with wire guard)

1000 hours salt spray



Application

- Power Plants
- Heavy Industrials Storage Facility
- Paper mills
- Wastewater Treatment Plants
- Loading Docks Platforms
- Offshore Environments
- Chemical Processing Facility
- Petrochemical Processing Facility
- Metallurgical Industry
- Coal Mine
- Food and Alcohol industry

Warranty

5-Year Standard Warranty

LED lumen Maintenance: L70> 150,000 Operation Hours@55°C

Technical Parameter (for Class I Division 2)

• Electrical

Specification	DIV-20W B2YZ1D1A	DIV-40W B2YZ1D1A	DIV-60W BYZ1DA1	DIV-80W BYZ1DA1
Rated Power	20W	40W	60W	80W
Input Voltage	120-277/277-480VAC			
Input Frequency	50/60Hz			
Power Factor	> 0.95			
Emergency	No emergency function	No emergency function	Optional (Billda)	Optional (Billda)

• Optical

Specification	DIV-20W B2Y1ZD1A	DIV-40W B2Y1ZD1A	DIV-60W BY1ZDA1	DIV-80W BY1ZDA1
Lumen Output	2800lm	5,600lm	8,400lm	11,200lm
Lumens Per Watt	140lm/W	140lm/W	140lm/W	140lm/W
CCT	2700K-7000K			
CRI	> 70			
Beam Angle	40°/60°/90°/120°			
Dimming	0-10V dimming			

• Environmental

Specification	DIV-20W B2Y1ZDA1	DIV-40W B2YZ1DA1	DIV-60W BY1ZDA1	DIV-80W BY1ZDA1
Ambient Operating Temperature	T3: -40°C to +50°C (-40°F to +122°F)			

• Mechanical

Specification	DIV-20W B2Y1ZDA1	DIV-40W B2Y1ZDA1	DIV-60W BY1ZDA1	DIV-80W BY1ZDA1
Housing Material	Copper-free aluminum			
Diffuser	Tempered glass & PC			
Hardware	Stainless steel			
Fixture Color	Gray RAL7040 (Standard)			
Protection	IP66/IP67/IK08 (glass cover)/IK10 (with wire guard)			
Mounting	Ceiling, Wall, Pole, Hook Pendant, Stanchion, Wall, Trunnion			
Cable Entries*	Side: 3/4" NPT (standard); M20, M25, 1/2" NPT (optional) Top: 3/4" NPT (standatd); M25 (optional)			

* For cable entries, 3/4" NPT is standard. Others can be achieved with an adapter, and customer needs to indicate which is required when placing an order.

Technical Parameter (for Class I Division 2)

• Electrical

Specification	DIV-100W B3Y1ZDA1	DIV-120W B3Y1ZDA1	DIV-150W B3Y1ZDA1	DIV-200W B3Y1ZDA1
Rated Power	100W	120W	150W	200W
Input Voltage	120-277/277-480VAC			
Input Frequency	50/60Hz			
Power Factor	> 0.95			
Emergency	Optional			

• Optical

Specification	DIV-100W B3Y1ZDA1	DIV-120W B3Y1ZDA1	DIV-150W B3Y1ZDA1	DIV-200W B3Y1ZDA1
Lumen Output	14,000lm	16,800lm	21,000lm	28,000lm
Lumens Per Watt	140lm/W	140lm/W	140lm/W	140lm/W
CCT	2700K-7000K			
CRI	> 70			
Beam Angle	40°/60°/90°/120°			
Dimming	0-10V dimming			

• Environmental

Specification	DIV-100W B3Y1ZDA1	DIV-120W B3Y1ZDA1	EX-150W B3Y1ZDA1	DIV-200W B3Y1ZDA1
Ambient Operating Temperature	T3: -40°C to +40°C (-40°F to +104°F)			

• Mechanical

Specification	DIV-100W B3Y1ZDA1	DIV-120W B3Y1ZDA1	DIV-150W B3Y1ZDA1	DIV-200W B3Y1ZDA1
Housing Material	Copper-free aluminum			
Diffuser	Tempered glass & PC			
Hardware	Stainless steel			
Fixture Color	Gray RAL7040 (Standard)			
Protection	IP66/IP67/IK08 (glass cover)/IK10 (with wire guard)			
Mounting	Ceiling, Wall, Pole, Hook Pendant, Stanchion, Wall			
Cable Entries*	Side: 3/4" NPT (standard); M20, M25, 1/2" NPT (optional) Top: 3/4" NPT (standatd); M25 (optional)			

* For cable entries, 3/4" NPT is standard. Others can be achieved with an adapter, and customer needs to indicate which is required when placing an order.

Technical Parameter (for Class I Division 2)

• Electrical

Specification	DIV-250W B4Y1ZDA1	DIV-300W B4Y1ZDA1	DIV-350W B4Y1ZDA1	DIV-400W B4Y1ZDA1
Rated Power	250W	300W	350W	400W
Input Voltage	120-277/277-480VAC			
Input Frequency	50/60Hz			
Power Factor	> 0.95			
Emergency	Optional			

• Optical

Specification	DIV-250W B4Y1ZDA1	DIV-300W B4Y1ZDA1	DIV-350W B4Y1ZDA1	DIV-400W B4Y1ZDA1
Lumen Output	35,000lm	42,000lm	49,000lm	56,000lm
Lumens Per Watt	140lm/W	140lm/W	140lm/W	140lm/W
CCT	2700K-7000K			
CRI	> 70			
Beam Angle	40°/60°/90°/120°			
Dimming	0-10V dimming			

• Environmental

Specification	DIV-250W B4Y1ZDA1	DIV-300W B4Y1ZDA1	DIV-350W B4Y1ZDA1	DIV-400W B4Y1ZDA1
Ambient Operating Temperature	T3: -40°C to +55°C (-40°F to +131°F)	T3: -40°C to +55°C (-40°F to +131°F)	T3: -40°C to +40°C (-40°F to +104°F)	T3: -40°C to +40°C (-40°F to +104°F)

• Mechanical

Specification	DIV-250W B4Y1ZDA1	DIV-300W B4Y1ZDA1	DIV-350W B4Y1ZDA1	DIV-400W B4Y1ZDA1
Housing Material	Copper-free aluminum			
Diffuser	Tempered glass & PC			
Hardware	Stainless steel			
Fixture Color	Gray RAL7040 (Standard)			
Protection	IP66/IP67/IK08 (glass cover)/IK10 (with wire guard)			
Mounting	Ceiling, Wall, Pole, Hook Pendant, Stanchion, Wall			
Cable Entries*	Side: 3/4" NPT (standard); M20, M25, 1/2" NPT (optional) Top: 3/4" NPT (standatd); M25 (optional)			

* For cable entries, 3/4" NPT is standard. Others can be achieved with an adapter, and customer needs to indicate which is required when placing an order.

Technical Parameter (for Zone 2/21/22)

• Electrical

Specification	DIV-20WB2N**D**	DIV-40WB2N**D**	DIV-60WBN**D**	DIV-80WBN**D**
Rated Power	20W	40W	60W	80W
Input Voltage	100-277VAC			
Input Frequency	50/60Hz			
Power Factor	> 0.95			
Emergency	No emergency function	No emergency function	Optional (Billda)	Optional (Billda)

• Optical

Specification	DIV-20WB2N**D**	DIV-40WB2N**D**	DIV-60WBN**D**	DIV-80WBN**D**
Lumen Output	2800lm	5,600lm	8,400lm	11,200lm
Lumens Per Watt	140lm/W			
CCT	3000K-6500K			
CRI	> 70			
Beam Angle	40°/60°/90°/120°			
Dimming	0-10V dimming			

• Environmental

Specification	DIV-20WB2N**D**	DIV-40WB2N**D**	DIV-60WBN**D**	DIV-80WBN**D**
Ambient Operating Temperature	T3: -40°C to +55°C (-40°F to +131°F)			

• Mechanical

Specification	DIV-20WB2N**D**	DIV-40WB2N**D**	DIV-60WBN**D**	DIV-80WBN**D**
Housing Material	Copper-free aluminum			
Lens	Tempered glass & PC			
Hardware	Stainless steel			
Fixture Color	Gray RAL7040 (Standard)			
Protection	IP66/IP67/IK08 (glass cover)/IK10 (with wire guard)			
Mounting	Ceiling, Wall, Pole, Hook Pendant, Stanchion, Wall, Trunnion			
Cable Entries*	Side: 3/4" NPT (standard); M20, M25, 1/2" NPT (optional) Top: 3/4" NPT (standatd); M25 (optional)			

* For cable entries, 3/4" NPT is standard. Others can be achieved with an adapter, and customer needs to indicate which is required when placing an order.

Technical Parameter (for Zone 2/21/22)

• Electrical

Specification	DIV-100WB3N**D**	DIV-120WB3N**D**	DIV-150WB3N**D**	DIV-200WB3N**D**
Rated Power	100W	120W	150W	200W
Input Voltage	100-277VAC			
Input Frequency	50/60Hz			
Power Factor	> 0.95			
Emergency	Optional			

• Optical

Specification	DIV-100WB3N**D**	DIV-120WB3N**D**	DIV-150WB3N**D**	DIV-200WB3N**D**
Lumen Output	14,000lm	16,800lm	21,000lm	28,000lm
Lumens Per Watt	140lm/W	140lm/W	140lm/W	140lm/W
CCT	3000K-6500K			
CRI	> 70			
Beam Angle	40°/60°/90°/120°			
Dimming	0-10V dimming			

• Environmental

Specification	DIV-100WB3N**D**	DIV-120WB3N**D**	DIV-150WB3N**D**	DIV-200WB3N**D**
Ambient Operating Temperature	T3: -40°C to +55°C (-40°F to +131°F)			

• Mechanical

Specification	DIV-100WB3N**D**	DIV-120WB3N**D**	DIV-150WB3N**D**	=DUV-200WB3N**D**
Housing Material	Copper-free aluminum			
Lens	Tempered glass & PC			
Hardware	Stainless steel			
Fixture Color	Gray RAL7040 (Standard)			
Protection	IP66/IP67/IK08 (glass cover)/IK10 (with wire guard)			
Mounting	Ceiling, Wall, Pole, Hook Pendant, Stanchion, Wall			
Cable Entries*	Side: 3/4" NPT (standard); M20, M25, 1/2" NPT (optional) Top: 3/4" NPT (standatd); M25 (optional)			

* For cable entries, 3/4" NPT is standard. Others can be achieved with an adapter, and customer needs to indicate which is required when placing an order.

Technical Parameter (for Zone 2/21/22)

• Electrical

Specification	DIV-250WB4N**D**	DIV-300WB4N**D**	DIV-350WB4N**D**	DIV-400WB4N**D**
Rated Power	250W	300W	350W	400W
Input Voltage	100-277VAC			
Input Frequency	50/60Hz			
Power Factor	> 0.95			
Emergency	Optional			

• Optical

Specification	DIV-250WB4N**D**	DIV-300WB4N**D**	DIV-350WB4N**D**	DIV-400WB4N**D**
Lumen Output	35,000lm	42,000lm	49,000lm	56,000lm
Lumens Per Watt	140lm/W	140lm/W	140lm/W	140lm/W
CCT	3000K-6500K			
CRI	> 70			
Beam Angle	40°/60°/90°/120°			
Dimming	0-10V dimming			

• Environmental

Specification	DIV-250WB4N**D**	DIV-300WB4N**D**	DIV-350WB4N**D**	DIV-400WB4N**D**
Ambient Operating Temperature	T3: -40°C to +55°C (-40°F to +131°F)			

• Mechanical

Specification	DIV-250WB4N**D**	DIV-300WB4N**D**	DIV-350WB4N**D**	DIV-400WB4N**D**
Housing Material	Copper-free aluminum			
Lens	Tempered glass & PC			
Hardware	Stainless steel			
Fixture Color	Gray RAL7040 (Standard)			
Protection	IP66/IP67/IK08 (glass cover)/IK10 (with wire guard)			
Mounting	Ceiling, Wall, Pole, Hook Pendant, Stanchion, Wall			
Cable Entries*	Side: 3/4" NPT (standard); M20, M25, 1/2" NPT (optional) Top: 3/4" NPT (standatd); M25 (optional)			

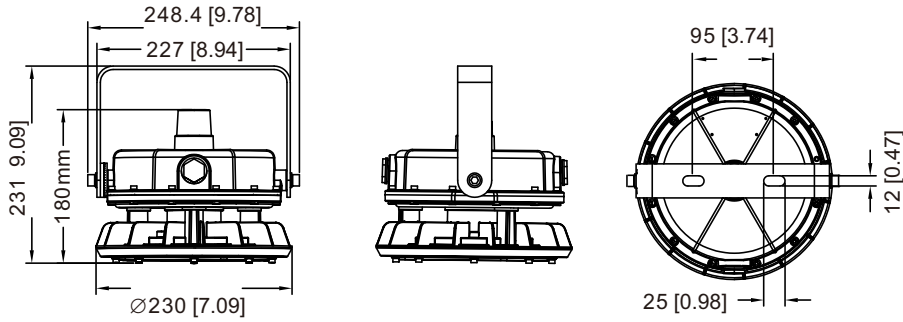
* For cable entries, 3/4" NPT is standard. Others can be achieved with an adapter, and customer needs to indicate which is required when placing an order.

Product Dimensions

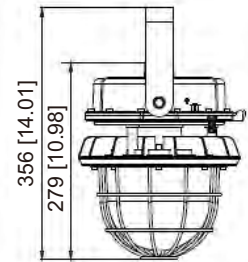
Unit: mm [inch]

B2

Without drop lens:

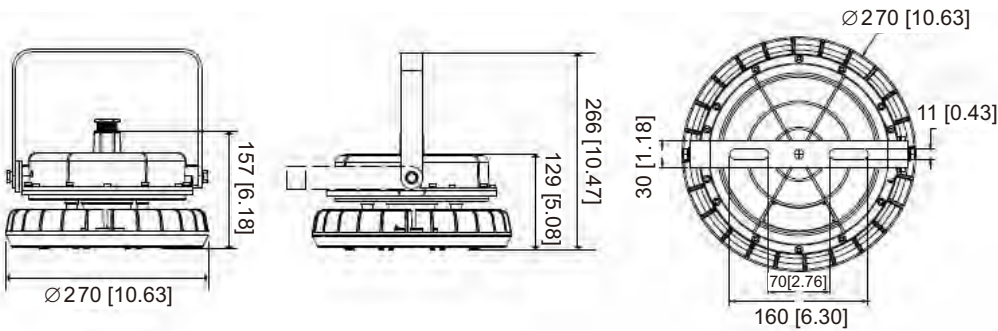


With drop lens:

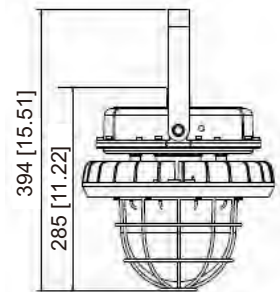


B

Without drop lens:

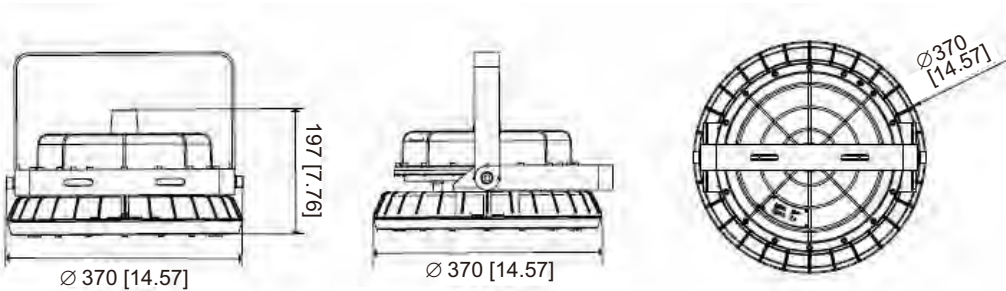


With drop lens:

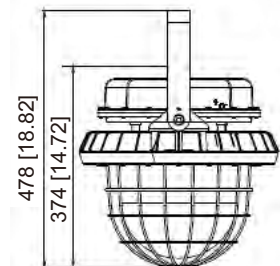


B3

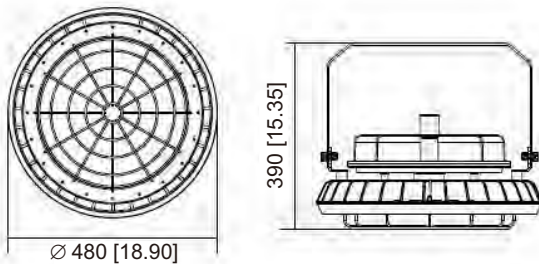
Without drop lens:



With drop lens:



B4



● Packing Information

Model	Net Weight*	Gross Weight*	Quantity/Carton	Package Dimensions (LxWxH)
B2	3.5 kg/7.72 lb	5.0 kg/11.02 lb	1 pc	360x354x260mm/14.17x13.94x10.24inch
B	4.4 kg/9.70 lb	5.65 kg/12.46 lb	1 pc	400x350x250mm/15.75x13.78x9.84inch
B3	8.2 kg/18.08 lb	10.6 kg/23.37 lb	1 pc	500x480x290mm/19.69x18.90x11.42inch
B4	17.0 kg/37.48 lb	20.5 kg/45.19 lb	1 pc	590x590x310mm/23.23x23.23x12.20inch

*Please note that net weight and gross weight may be subject to change because of actual configuration.

Ordering Guide (for Class I Division 2)

DIV
yyyW
X
Y
Z
D
A
-1

1
2
3
4
5
6
7
8

1. Product Categories	2. Wattage	3. Shell Shape Series	4. Dimming or Not
Explosion Proof Light	B2: 20/40W B: 60/80W B3: 100/120/150/200W B4: 250/300/350/400W	"X" Can be: B, B2, B3, B4	"Y" Can be: D: Dimmable N: Non-dimmable

5. Color Temp.	6. Beam Angle	7. Long Glass Cover Option	8. Optional
"Z" can be 27 to 70 denotes 2700K to 7000K	D40=40°, D60=60° D90=90°, D120=120°	"A" = C: long glass cover blank: non long glass cover	"-1" NA (optional)

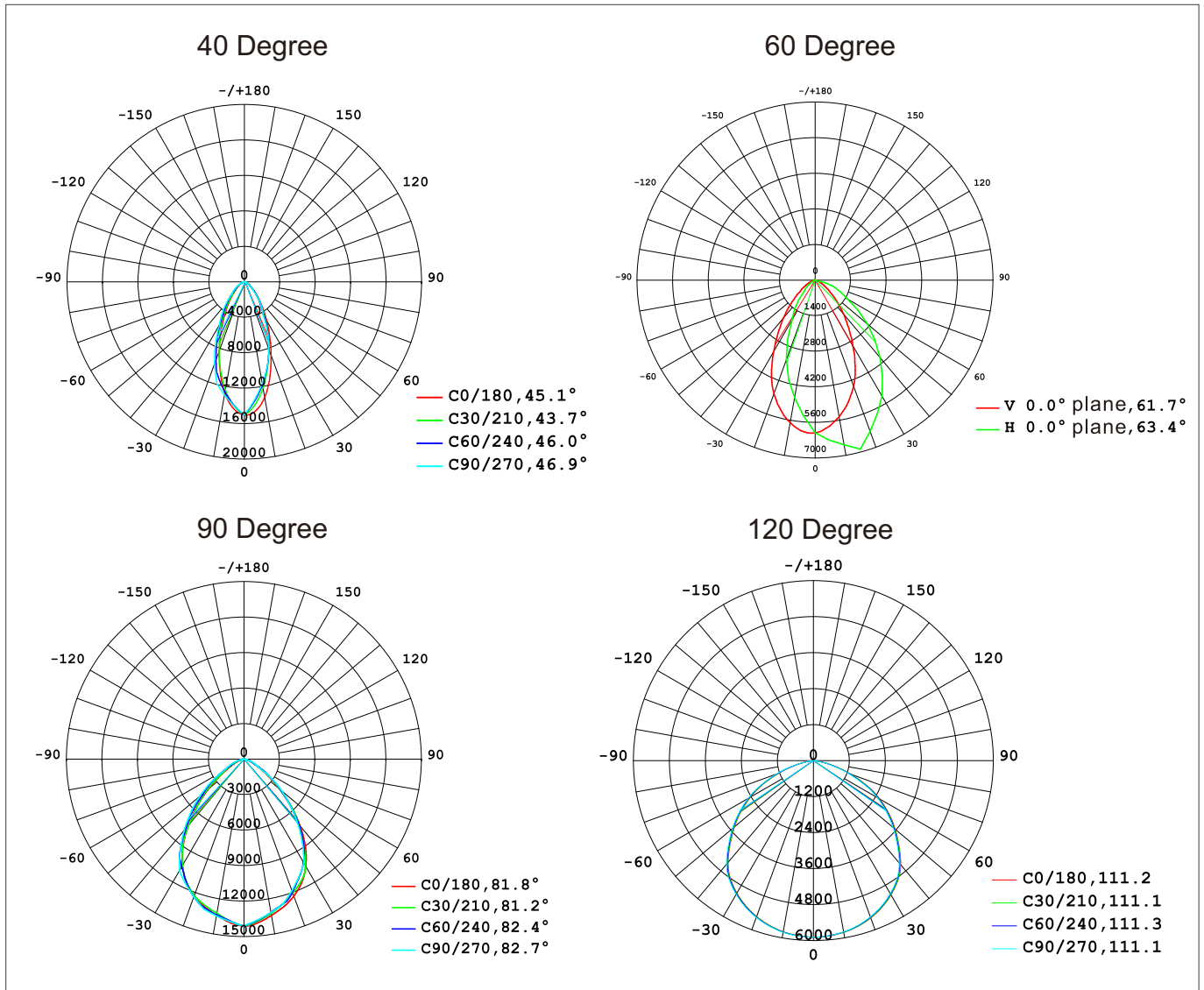
Ordering Guide (for Zone 2/21/22)

DIV
* *
W
* *
N
* *
D
* *

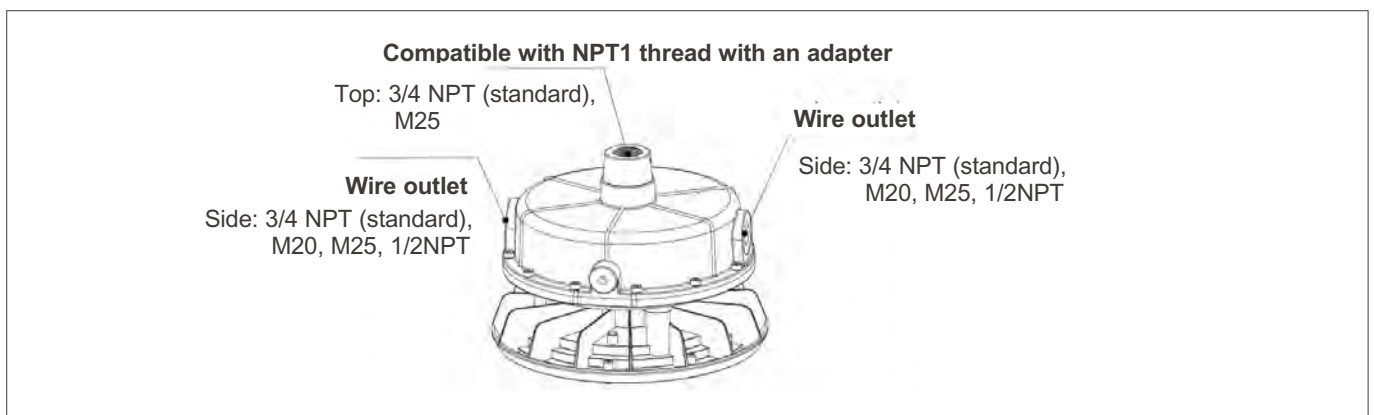
1
2
3
4

1. Wattage (W)	2. Product Code	3. Color Temperature	4. Beam Angle (Degree)
B2: 20/40 B: 60/80 B3: 100/120/150/200 B4: 250/300/350/400	Can be: B, B2, B3, B4	Can be 30 to 65, means 3000K to 6500K	Can be: 40, 60, 90, 120

Photometric

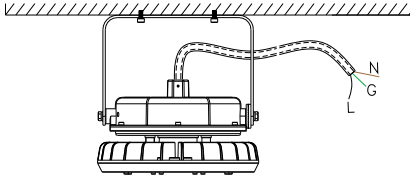


Cable Entries



Mounting Methods

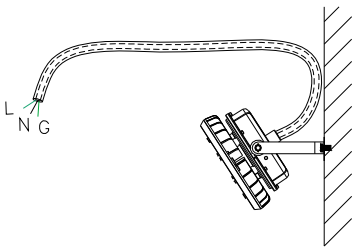
• Option 1: Ceiling Mounting



• Accessory



• Option 2: Wall Mounting

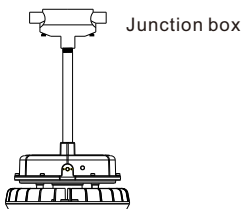


• Accessory

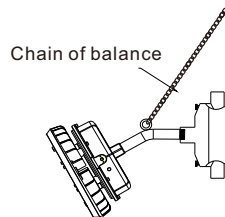


• Option 3: Pole Pendant Mounting

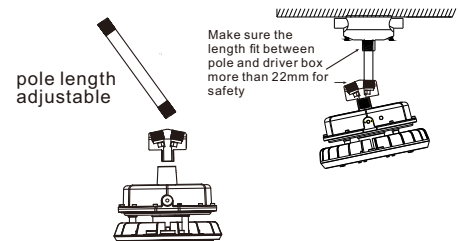
Vertical



Non-vertical



Adjustable Pole Installation



Junction Box
EX-HD51-KB1



Junction Box
EX-HD51-KB1



Junction Box
EX-HD51-KB1



Pole
Ex-Straight Pipe



Pole
Ex-Bended Pipe



Pole
Ex-Straight Pipe



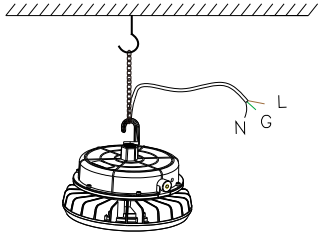
Pendant Chain
Ex-Straight Chain



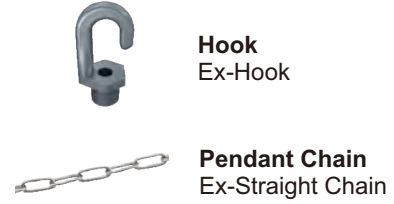
Pendant Direction Adapter
Ex-D01

Mounting Methods

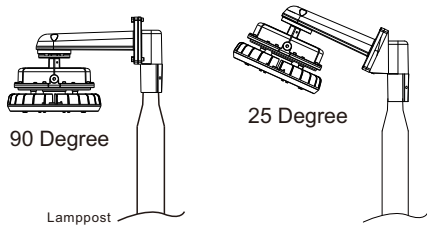
• Option 4: Hook Pendant Mounting



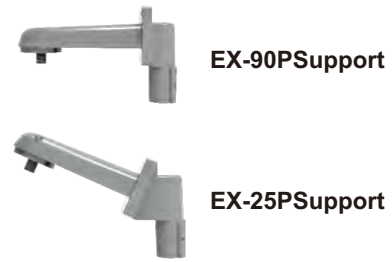
• Accessories



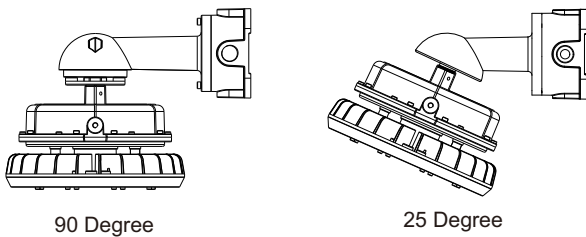
• Option 5: Stanchion Mounting



• Accessories



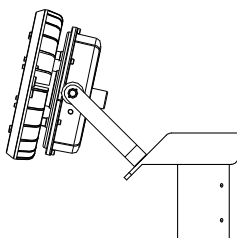
• Option 6: Wall Mounting to Junction Box



• Accessories



• Option 7: Trunnion Mounting (Only for B and B2)



Durable Lighting Made for Industrial Safety



Hazardous Location LED Luminaire C Series (for North America)

Specsheet-2023-07 EN



Explosion-proof Light C Series (for North America)



C2



C



C3



Product Description

The C Series LED luminaire is the ideal choice for marine and hazardous applications. They can be used in locations where moisture, dirt, dust, corrosion and vibration may be present, or areas where wind, water, snow or high ambient can be expected.

Features

- 0-10V dimming
- High luminous efficacy - Up to 140 lumens per watt
- Battery backup function available
- Compact and robust structure, excellent reliability
- Various installation ways for different applications
- Great impact resistance with IK08/IK10 certified
- Copper-free aluminum housing, great corrosion resistance and cooling performance

Compliance

UL 844 Hazardous Locations
 Class I Division 1, Group C, D
 Class I Division 2, Group A, B, C, D
 Class II Division 1, Group E, F, G
 Class II Division 2, Group F, G
 Class III
 Class I, Zone 1, Group IIB
 Class II, Zone 21, Group IIIC
 UL 1598 Wet Locations
 UL 1598A Marine Outside Type
 UL 924 Emergency Lighting
 CSA
 ETL
 ABS

IP66/IP67
 IK08 (glass cover)
 IK10 (with wire guard)
 1000 hours salt spr



Application

- Power Plants
- Heavy Industrials Storage Facility
- Paper mills
- Wastewater Treatment Plants
- Loading Docks Platforms
- Offshore Environments
- Chemical Processing Facility
- Petrochemical Processing Facility
- Metallurgical Industry
- Coal Mine
- Food and Alcohol industry



Warranty

5-Year Standard Warranty
 LED lumen Maintenance: L70> 150,000 Operation Hours@55°C

Technical Parameter

• Electrical

Specification	DIV-20W C2YZ1DA	DIV-40W C2YZ1DA	DIV-60W C2YZ1DA	DIV-80W C2YZD1A
Rated Power	20W	40W	60W	80W
Input Voltage	100-277/200-480VAC			
Input Frequency	50/60Hz			
Power Factor	> 0.95			
Emergency Time*	3 hours			

*Emergency function optional.

• Optical

Specification	DIV-20W C2Y1ZDA	DIV-40W C2Y1ZDA	DIV-60W C2Y1ZDA	DIV-80W C2Y1ZDA
Lumen Output	2800lm	5,600lm	8,400lm	11200lm
Lumens Per Watt	140lm/W			
CCT	2700K-7000K			
CRI	> 70			
Beam Angle	40°/60°/90°/120°			
Dimming	0-10V dimming			

• Environmental

Specification	DIV-20W C2Y1ZDA	DIV-40W C2Y1ZDA	DIV-60W C2Y1ZDA	DIV-80W C2Y1ZDA
Ambient Temperature	T4: -40°C to 60°C (-40°F to 140°F)			

• Mechanical

Specification	DIV-20W C2Y1ZDA	DIV-40W C2Y1ZDA	DIV-60W C2Y1ZDA	DIV-80W C2Y1ZDA
Housing Material	Copper-free aluminum			
Diffuser	Tempered glass			
Hardware	Stainless steel			
Protection	IP66/IP67/IK08 (glass cover)/IK10 (with wire guard)			
Mounting	Ceiling, Wall, Hook, Pole, Trunnion			
Cable Entries*	Side: 3/4" NPT (standard); M20, M25, 1/2" NPT (optional) Top: 3/4" NPT (standard); M25 (optional)			

* For cable entries, 3/4" NPT is standard. Others can be achieved with an adapter, and customer needs to indicate which is required when placing an order.

Technical Parameter

• Electrical

Specification	DIV-100W CY1ZDA	DIV-150W CY1ZDA
Rated Power	100W	150W
Input Voltage	100-277/200-480VAC	
Input Frequency	50/60Hz	
Power Factor	> 0.95	
Emergency Time*	3 hours	

*Emergency function optional.

• Optical

Specification	DIV-100W CYZ1DA	DIV-150W CY1ZDA
Lumen Output	14000lm	21000lm
Lumens Per Watt	140lm/W	
CCT	2700K-7000K	
CRI	> 70	
Beam Angle	40°/60°/90°/120°	
Dimming	0-10V dimming	

• Environmental

Specification	DIV-100W CY1ZDA	DIV-150W CY1ZDA
Ambient Temperature	T4: -40°C to 60°C (-40°F to 140°F)	

• Mechanical

Specification	DIV-100W CY1ZDA	DIV-150W CY1ZDA
Housing Material	Copper-free aluminum	
Diffuser	Tempered glass	
Hardware	Stainless steel	
Protection	IP66/IP67/IK08 (glass cover)/IK10 (with wire guard)	
Mounting	Ceiling, Wall, Hook, Pole	
Cable Entries*	Side: 3/4" NPT (standard); M20, M25, 1/2" NPT (optional) Top: 3/4" NPT (standard); M25 (optional)	

* For cable entries, 3/4" NPT is standard. Others can be achieved with an adapter, and customer needs to indicate which is required when placing an order.

Technical Parameter

• Electrical

Specification	DIV-200W C3Y1ZDA	DIV-250W C3Y1ZDA	DIV-280W C3Y1ZDA
Rated Power	200W	250W	280W
Input Voltage	100-277/200-480VAC		
Input Frequency	50/60Hz		
Power Factor	> 0.95		
Emergency Time*	3 hours		

*Emergency function optional.

• Optical

Specification	DIV-200W C3Y1ZDA	DIV-250W C3Y1ZDA	DIV-280W C3Y1ZDA
Lumen Output	28000lm	35000lm	39200lm
Lumens Per Watt	140lm/W		
CCT	2700K-7000K		
CRI	> 70		
Beam Angle	40°/60°/90°/120°		
Dimming	0-10V dimming		

• Environmental

Specification	DIV-200W C3Y1ZDA	DIV-250W C3Y1ZDA	DIV-280W C3Y1ZDA
Ambient Temperature	T4: -40°C to 60°C (-40°F to 140°F)		

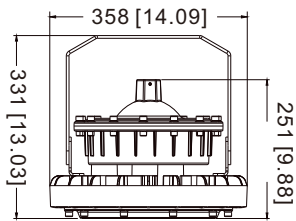
• Mechanical

Specification	DIV-200W C3Y1ZDA	DIV-250W C3Y1ZDA	DIV-280W C3Y1ZDA
Housing Material	Copper-free aluminum		
Diffuser	Tempered glass		
Hardware	Stainless steel		
Protection	IP66/IP67/IK08 (glass cover)/IK10 (with wire guard)		
Mounting	Ceiling, Wall, Hook, Pole		
Cable Entries*	Side: 3/4" NPT (standard); M20, M25, 1/2" NPT (optional) Top: 3/4" NPT (standard); M25 (optional)		

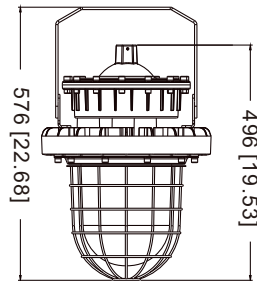
* For cable entries, 3/4" NPT is standard. Others can be achieved with an adapter, and customer needs to indicate which is required when placing an order.

Product Dimensions Unit: mm [inch]

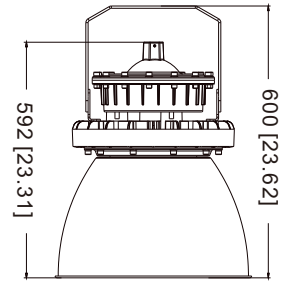
C2



Flat glass

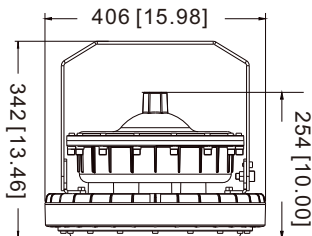


with drop lens and wire guard

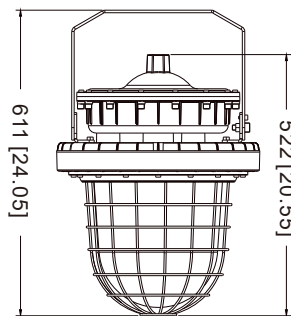


with lamp shade

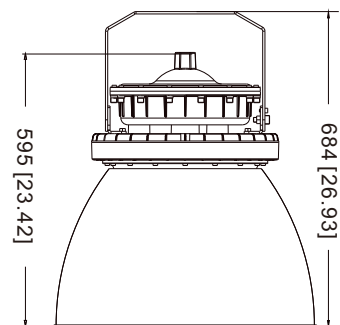
C



Flat glass

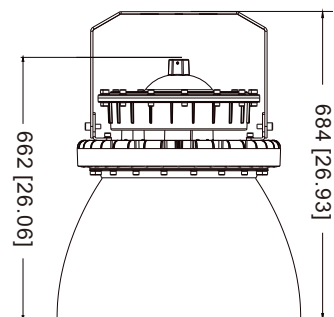
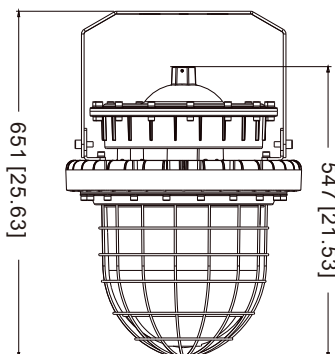
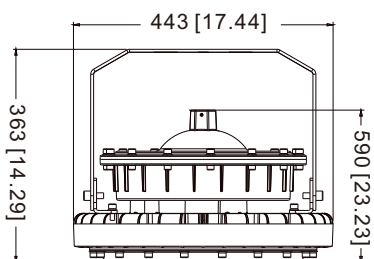


with drop lens and wire guard

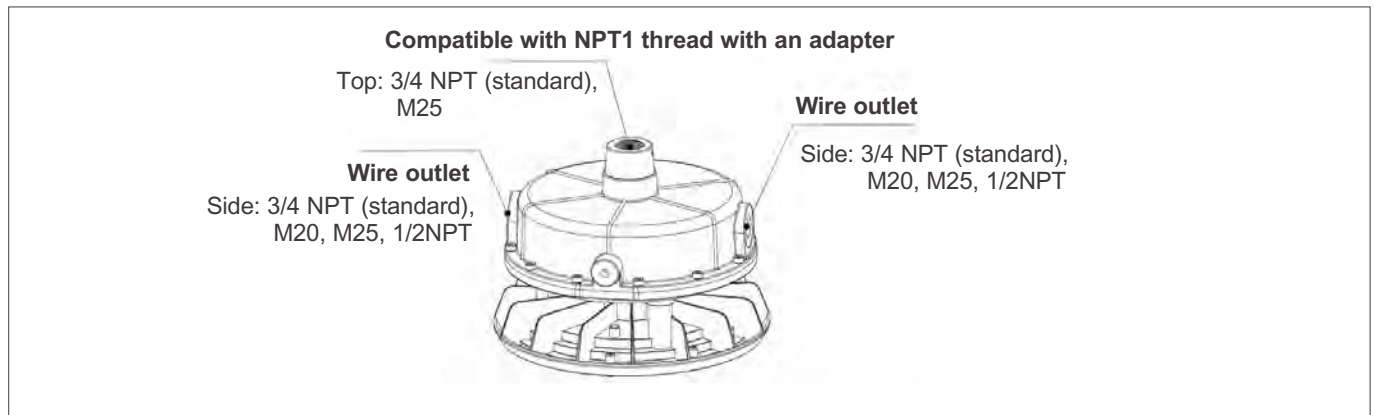


with lamp shade

C3



Cable Entries



• Packing Information

Model	Net Weight*	Gross Weight*	Quantity/Carton	Package Dimensions (LxWxH)
C2	30.86 lb	35.27 lb	1 pc	18.50x18.50x13.58 inch
C	38.36 lb	41.89 lb	1 pc	21.65x20.47x14.17 inch
C3	46.30 lb	55.12 lb	1 pc	21.85x21.85x13.58 inch

*Please note that net weight and gross weight may be subject to change because of actual configuration.

Ordering Guide

DIV
yyyW
X
Y
Z
D
A
-1

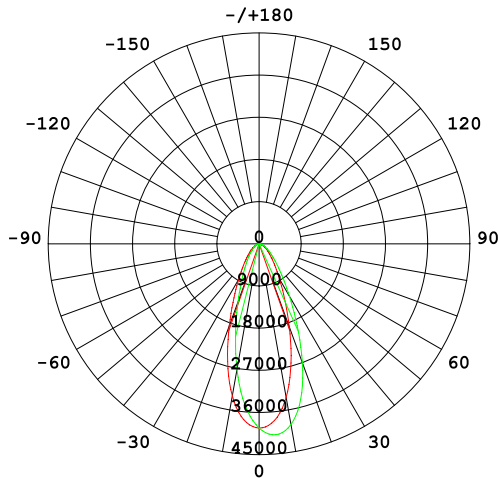
1
2
3
4
5
6
7
8

1. Product Categories	2. Wattage	3. Shell Shape Series	4. Dimming or Not
Explosion Proof Light	C2: 20/40/60/80W C: 100/150W C3: 200/250/280W	“X” Can be: C C2 C3	“Y” Can be: D: Dimmable N: Non-dimmable

5. Color Temperature	6. Beam Angle	7. Long Glass Cover Optional	8. Optional
“Z” can be 27 to 70 denotes 2700K to 7000K, and each 100K gradually increase, max 7000K	D40=40° D60=60° D90=90° D120=120°	“A” = C: long glass cover	“-1” NA (optional)

Photometric

40 Degree

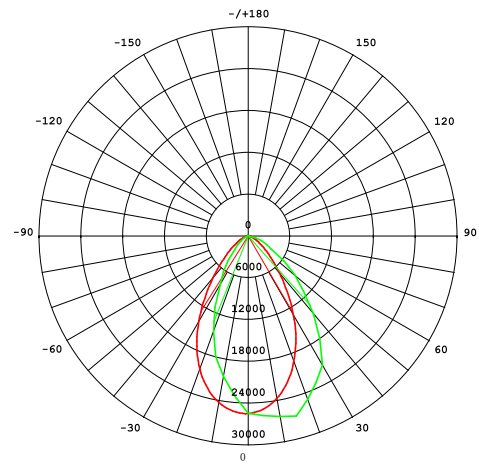


AVERAGE BEAM ANGLE(50%):38.6 DEG

UNIT:cd

- C0/180,38.7°
- C90/270,38.5°

60 Degree

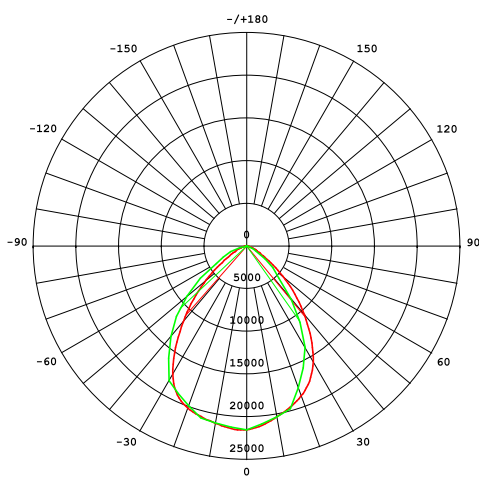


AVERAGE BEAM ANGLE(50%):63.2 DEG

UNIT:cd

- V 0.0DEG PLAN,62.6
- H 0.0DEG PLAN,63.8

90 Degree

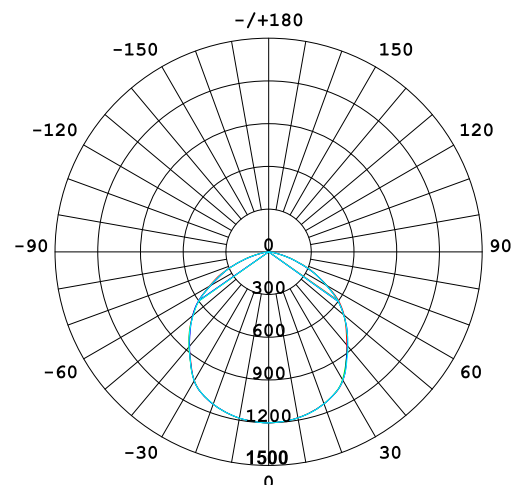


AVERAGE BEAM ANGLE(50%):81.6 DEG

UNIT:cd

- V 0.0DEG PLAN,81.0
- H 0.0DEG PLAN,82.1

120 Degree



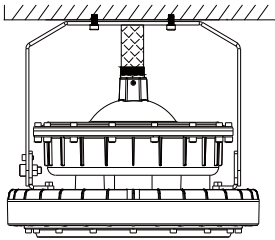
AVERAGE BEAM ANGLE(50%):109.6 DEG

UNIT:cd

- C0/180,110.0
- C30/210,109.4
- C60/240,109.6
- C90/270,109.4

Mounting Methods and Accessories

• Option 1: Ceiling Mounting



• Accessories

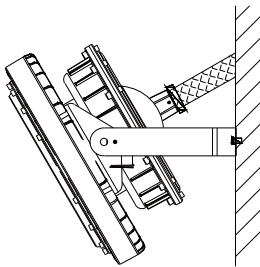


Bracket



Metal Conduit
EX-NG

• Option 2: Wall Mounting



• Accessories

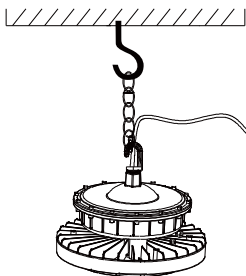


Bracket



Metal Conduit
EX-NG

• Option 3: Hook Pendant Mounting



• Accessories

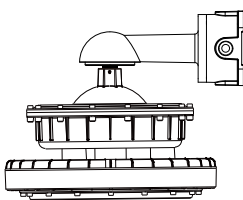


Hook
Ex-Hook

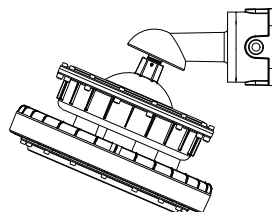


Pendant Chain
Ex-Straight Chain

• Option 4: Wall Mounting with Junction Box



90 Degree



25 Degree

• Accessory



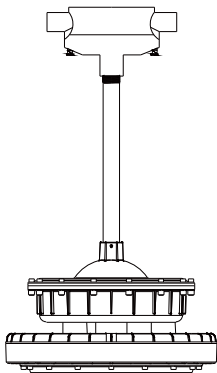
Stanchion Arm
EX-HD51-KYD 90



Stanchion Arm
EX-HD51-KYD 25

Mounting Methods and Accessories

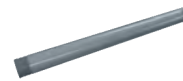
- Option 5: Pole Mounting (Vertical)



- Accessories

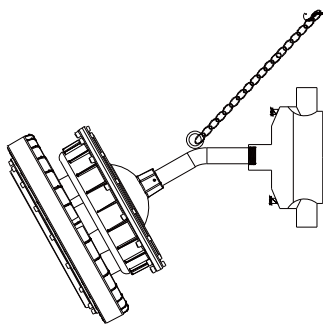


Junction Box
EX-HD51-KB1



Pole
Ex-Straight Pipe

- Option 6: Pole Mounting (Non-vertical)



- Accessories



Junction Box
EX-HD51-KB1

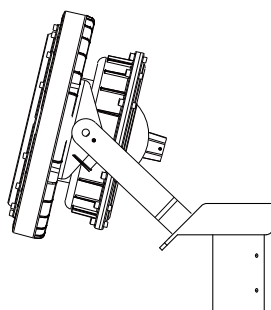


Pole
Ex-Bended Pipe



Pendant Chain
Ex-Straight Chain

- Option 7: Trunnion Mounting (Only for C2)



- Accessory



EX-Slip
Fitter Mounting Kit

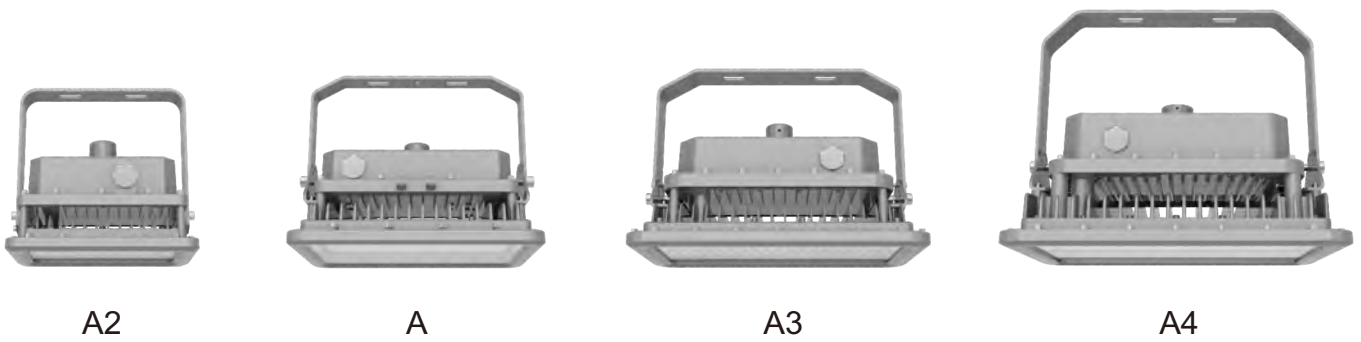
Durable Lighting Made for Industrial Safety



Hazardous Location LED Luminaire A Series (Zone 2 & Class I Divison 2)

Specsheet-2023-07 EN





Product Description

The A Series LED luminaire is the ideal choice for marine and hazardous applications. They can be used in locations where moisture, dirt, dust, corrosion and vibration may be present, or areas where wind, water, snow or high ambient can be expected.

Features

- 0-10V dimming optional
- High luminous efficacy - Up to 140 lumens per watt
- Battery backup function: emergency only available for A3 and A4
- Compact and robust structure, excellent reliability
- Various installation ways for different applications
- Great impact resistance with IK08/IK10 certified
- Die-cast aluminum housing, great corrosion resistance and cooling performance

Compliance

ATEX Standard:

 II 3G DIV ec IIC T6...T3 Gc

 II 2D DIV tb IIIC T85°C...T103°C Db

9791 GHUBXUFX.

Ex ec IIC T6...T3 Gc

Ex tb IIIC T85°C...T100°C Db IP66

Zone 2, Zone 21&22

CB

UL 844 Hazardous Locations

Class I Division 2, Group A, B, C, D

Class II Division 1, Group E, F, G

Class II Division 2, Group F, G

Class III

Class I, Zone 2, Group IIC

Class II, Zone 21, Group IIIC

UL 1598 Wet Locations

UL 1598A Marine Outside Type

ETL

ABS

DLC*

IP66

IK08 (without wire guard)

IK10 (with wire guard)

1000 hours salt spray



Application

- Power Plants
- Heavy Industrials Storage Facility
- Paper mills
- Wastewater Treatment Plants
- Loading Docks Platforms
- Offshore Environments
- Chemical Processing Facility
- Petrochemical Processing Facility
- Metallurgical Industry
- Coal Mine
- Food and Alcohol industry

Warranty

5-Year Standard Warranty

LED lumen Maintenance: L70> 78,000 Operation Hours@55°C

Technical Parameter - UL844 Certified

• Electrical

Specification	DIV-20W A2Y1ZDA	DIV-40W A2Y1ZDA	DIV-60W A2Y1ZDA	DIV-80W A2Y11ZDA	DIV-100W A2Y11ZDA
Rated Power	20W	40W	60W	80W	100W
Input Voltage	100-277/200-480VAC				
Input Frequency	50/60Hz				
Power Factor	> 0.95				
Emergency Function	No emergency function			Optional (Billda)	

• Optical

Specification	DIV-20W A2Y1ZDA	DIV-40W A2Y1ZDA	DIV-60W A2Y1ZDA	DIV-80W A2Y11ZDA	DIV-100W A2Y11ZDA
Lumen Output	2800lm	5,600lm	8,400lm	11200lm	14000lm
Lumens Per Watt	140lm/W				
CCT	3000K-6500K				
CRI	> 70				
Beam Angle	40°/60°/90°/120°				
Dimming	0-10V dimming optional				

• Mechanical

Specification	DIV-20W A2Y1ZDA	DIV-40W A2Y1ZDA	DIV-60W A2Y1ZDA	DIV-80W A2Y11ZDA	DIV-100W A2Y11ZDA
Housing Material	Die-cast aluminum				
Lens	Tempered glass & PC				
Hardware	Stainless steel				
Fixture Color	Gray RAL7040 (Standard)				
Protection	IP66/IP67/IK08 (glass cover)/IK10 (with wire guard)				
Mounting	Ceiling, Wall, Hook, Trunnion, Pole, Stanchion				
Cable Entries	Side: 3/4" NPT (standard); M20, M25, 1/2" NPT (optional) Top: 3/4" NPT (standard)				

Technical Parameter - UL844 Certified

• Electrical

Specification	DIV-150W A3Y11ZDA	DIV-180W A3Y11ZDA	DIV-200W A3Y11ZDA	DIV-250W A4Y11ZDA	DIV-300W A4Y11ZDA	DIV-400W A4Y11ZDA
Rated Power	150W	180W	200W	250W	300W	400W
Input Voltage	120-277/277-480VAC					
Input Frequency	50/60Hz					
Power Factor	> 0.95					
Emergency Function	Optional					

• Optical

Specification	DIV-150W A3Y11ZDA	DIV-180W A3Y11ZDA	DIV-200W A3Y11ZDA	DIV-250W A4Y11ZDA	DIV-300W A4Y11ZDA	DIV-400W A4Y11ZDA
Lumen Output	21000lm	25200lm	28000lm	35000lm	42000lm	56000lm
Lumens Per Watt	140lm/W					
CCT	3000K-6500K					
CRI	> 70					
Beam Angle	40°/60°/90°/120°					
Dimming	0-10V dimming optional					

• Mechanical

Specification	DIV-150W A3Y11ZDA	DIV-180W A3Y11ZDA	DIV-200W A3Y11ZDA	DIV-250W A4Y11ZDA	DIV-300W A4Y11ZDA	DIV-400W A4Y11ZDA
Housing Material	Die-cast aluminum					
Lens	Tempered glass & PC					
Hardware	Stainless steel					
Fixture Color	Gray RAL7040 (Standard)					
Protection	IP66/IP67/IK08 (glass cover)/IK10 (with wire guard)					
Mounting	Ceiling, Wall, Hook, Pole, Stanchion					
Cable Entries	Side: 3/4" NPT (standard); M20, M25, 1/2" NPT (optional) Top: 3/4" NPT (standard)					

• Ambient Temperature

-40°C to +40°C (-40°F to +104°F)	Models A, 40-120W
-40°C to +50°C (-40°F to +122°F)	Models A, 40-100W, Class I Division 2 Group A, B, C, D
-40°C to +40°C (-40°F to +104°F)	Models A2, 20-40W
-40°C to +40°C (-40°F to +104°F)	Models A3, 20-200W
-40°C to +55°C (-40°F to +131°F)	Models A4, 20-300W
-40°C to +40°C (-40°F to +104°F)	Models A4, 20-400W

Technical Parameter - for Zone 2/21/22

• Electrical

Specification	DIV-20WA2N**D**	DIV-40WA2N**D**	DIV-60WA2N**D**	DIV-80WAN**D**	DIV-100WAN**D**
Rated Power	20W	40W	60W	80W	100W
Input Voltage	100-277VAC				
Input Frequency	50/60Hz				
Power Factor	> 0.95				
Emergency Function	No emergency function			Optional (Billda)	

• Optical

Specification	DIV-20WA2N**D**	DIV-40WA2N**D**	DIV-60WA2N**D**	DIV-80WAN**D**	DIV-100WAN**D**
Lumen Output	2800lm	5,600lm	8,400lm	11200lm	14000lm
Lumens Per Watt	140lm/W				
CCT	3000K-6500K				
CRI	> 70				
Beam Angle	40°/60°/90°/120°				
Dimming	0-10V dimming optional				

• Environmental

Specification	DIV-20WA2N**D**	DIV-40WA2N**D**	DIV-60WA2N**D**	DIV-80WAN**D**	DIV-100WAN**D**
Ambient Temperature	T3: -40°C to +55°C (-40°F to +131°F)				

• Mechanical

Specification	DIV-20WA2N**D**	DIV-40WA2N**D**	DIV-60WA2N**D**	DIV-80WAN**D**	DIV-100WAN**D**
Housing Material	Die-cast aluminum				
Fixture Color	Gray RAL7040 (Standard)				
Lens	Tempered glass & PC				
Hardware	Stainless steel				
Protection	IP66/IP67/IK08 (glass cover)/IK10 (with wire guard)				
Mounting	Ceiling, Wall, Hook, Pole, Stanchion				
Cable Entries	Side: M20 (standard); M25, 1/2" NPT, 3/4" NPT (optional) Top: 3/4" NPT (standard)				

Technical Parameter - for Zone 2/21/22

• Electrical

Specification	DIV-150W A3N**D**	DIV-180W A3N**D**	DIV-200W A3N**D**	DIV-250W A4N**D**	DIV-300W A4N**D**
Rated Power	150W	180W	200W	250W	300W
Input Voltage	100-277VAC				
Input Frequency	50/60Hz				
Power Factor	> 0.95				
Emergency Function	Optional				

• Optical

Specification	DIV-150W A3N**D**	DIV-180W A3N**D**	DIV-200W A3N**D**	DIV-250W A4N**D**	DIV-300W A4N**D**
Lumen Output	21000lm	28000lm	11200lm	35000lm	42000lm
Lumens Per Watt	140lm/W				
CCT	3000K-6500K				
CRI	> 70				
Beam Angle	40°/60°/90°/120°				
Dimming	0-10V dimming optional				

• Environmental

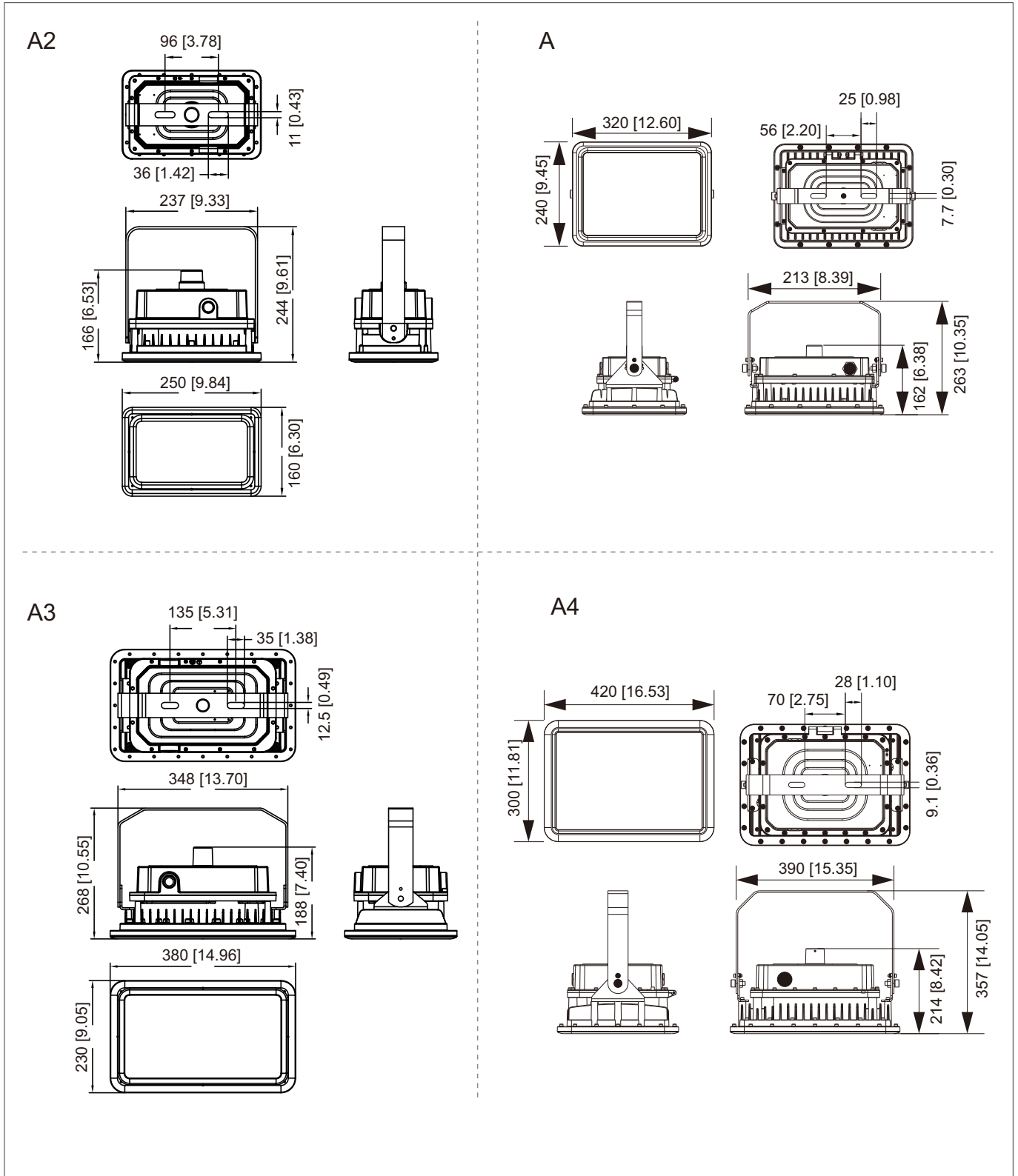
Specification	DIV-150W A3N**D**	DIV-180W A3N**D**	DIV-200W A3N**D**	DIV-250W A4N**D**	DIV-300W A4N**D**
Ambient Temperature	T3: -40°C to +55°C (-40°F to +131°F)				

• Mechanical

Specification	DIV-150W A3N**D**	DIV-180W A3N**D**	DIV-200W A3N**D**	DIV-250W A4N**D**	DIV-300W A4N**D**
Housing Material	Die-cast aluminum				
Fixture Color	Gray RAL7040 (Standard)				
Lens	Tempered glass & PC				
Hardware	Stainless steel				
Protection	IP66/IP67/IK08 (glass cover)/IK10 (with wire guard)				
Mounting	Ceiling, Wall, Hook, Pole, Stanchion				
Cable Entries	Side: M20 (standard); M25, 1/2" NPT, 3/4" NPT (optional) Top: 3/4" NPT (standard)				

Product Dimensions

Unit: mm [inch]

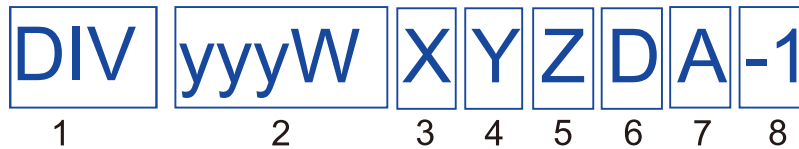


• Packing Information

Model	Net Weight*	Gross Weight*	Quantity/ Carton	Package Dimensions (LxWxH)
A2	4.15 kg/9.15 lb	5.30 kg/11.68 lb	1 pc	365x270x305 mm/14.37x10.63x12.01 inch
A	6.95 kg/15.32 lb	7.90 kg/17.42 lb	1 pc	375x340x215 mm/14.76x13.39x8.46 inch
A3	8.30 kg/18.30 lb	10.30 kg/22.71 lb	1 pc	485x340x365 mm/19.09x13.39x14.37 inch
A4	15.1 kg/33.29 lb	15.80 kg/34.83 lb	1 pc	510x480x350 mm/20.08x18.90x13.78 inch

*Please note that net weight and gross weight may be subject to change because of actual configuration.

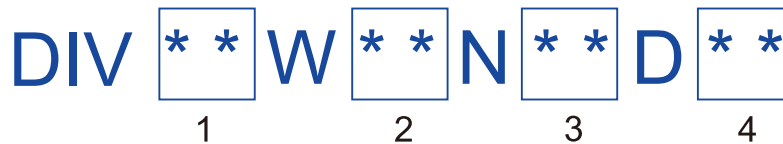
Ordering Guide - UL844 Certified



1.Product Categories	2.Wattage	3.Shell Shape Series	4.Dimming or Not
Explosion Proof Light	A: 80/100W A2: 20W/40/60W A3: 150/180/200W A4: 250/300/400W	“X” Can be: A, A2, A3, A4	“Y” Can be: D: Dimmable N: Non-dimmable

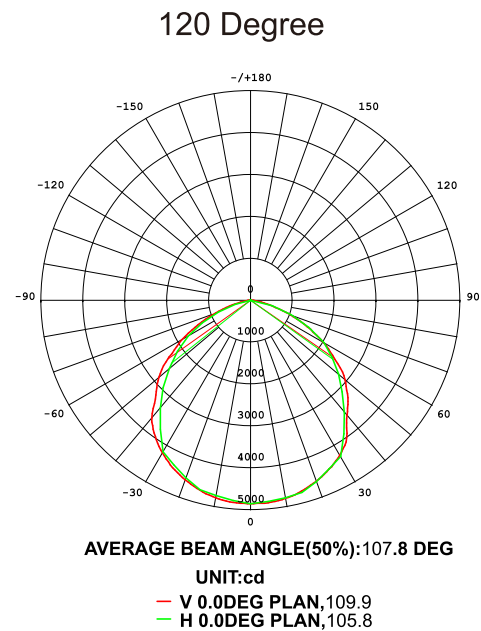
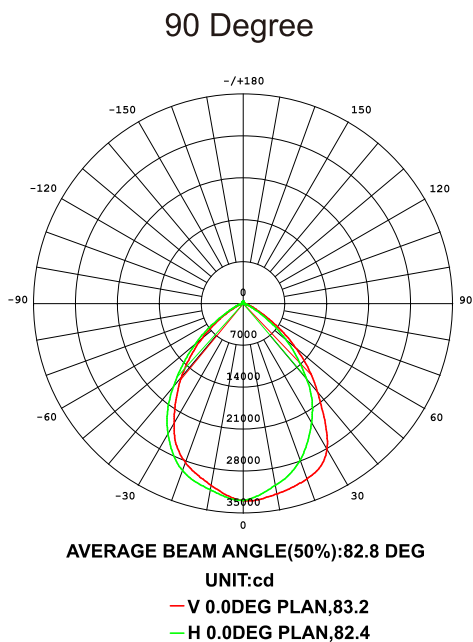
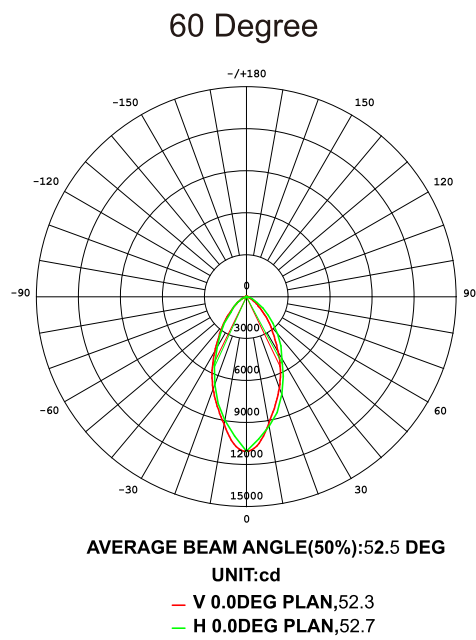
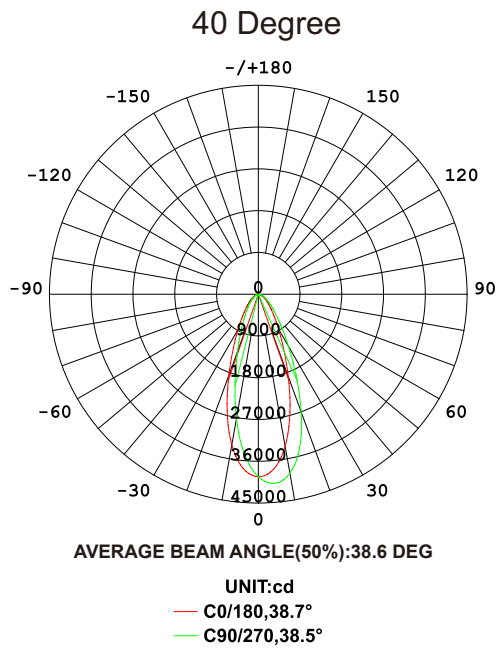
5.Color Temp.	6.Beam Angle	7.Long Glass Cover Optionl	8.Optional
“Z” can be 27 to 70, denotes 2700K to 7000K	D40=40° D60=60° D90=90° D120=120°	“A” = C: long glass cover blank: non long glass cover	“-1” :made in USA, blank: made in China

Ordering Guide - for Zone 2/21/22



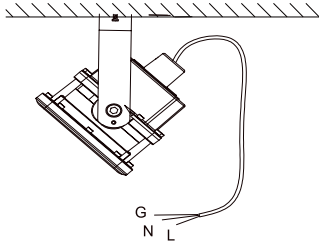
1. Wattage (W)	2. Product Code	3. Color Temperature	4. Beam Angle (Degree)
A: 80/100W A2: 20W/40/60W A3: 150/180/200W A4: 250/300W	Can be: A, A2, A3, A4	Can be 30 to 65, means 3000K to 6500K	Can be: 40, 60, 90, 120

Photometric



Mounting Methods and Accessories

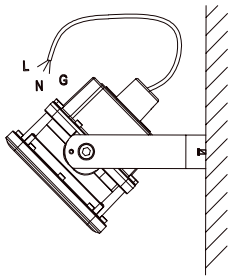
• Option 1: Ceiling Mounting



• Accessory



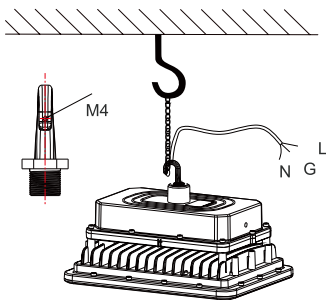
• Option 2: Wall Mounting



• Accessory



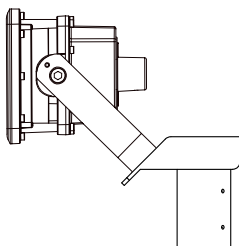
• Option 3: Hook Mounting



• Accessories



• Option 4: Trunnion Mounting (Only for A and A2)

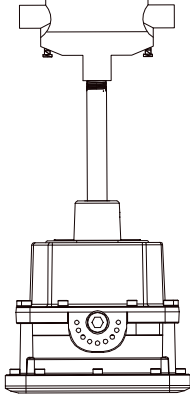


• Accessory



Mounting Methods and Accessories

• Option 5: Pole Mounting (Vertical)



• Accessories

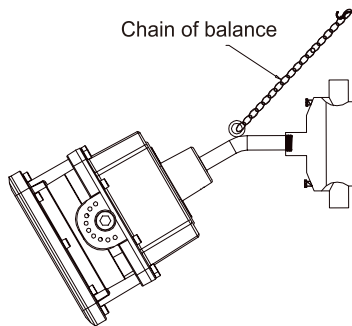


Junction Box
EX-HD51-KB1



Pole
DIV-Straight
Pipe

• Option 6: Pole Mounting (Non-vertical)



• Accessories



Junction Box
EX-HD51-KB1

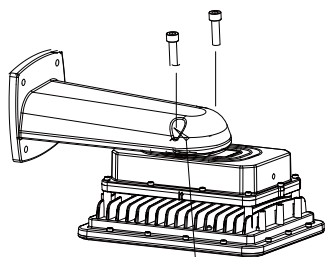


Pole
Ex-Bended Pipe



Pendant Chain
Ex-Straight Chain

• Option 7: Stanchion Mounting on the Wall



• Accessory



Stanchion Arm
Ex-MArm

45mm

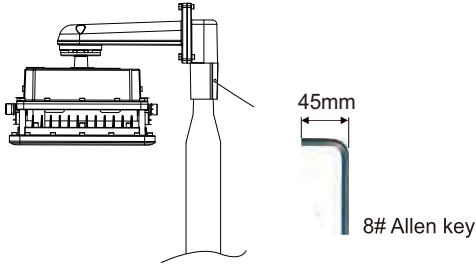


6# Allen key

Make sure the screw is fixed well for safety.

Mounting Methods and Accessories

- Option 8: Stanchion Mounting on the Pole (90 Degree)

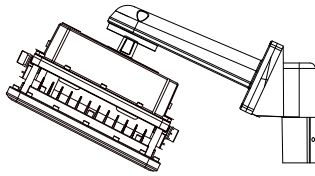


- Accessories



DIV-90PSupport

- Option 9: Stanchion Mounting on the Pole (25 Degree)

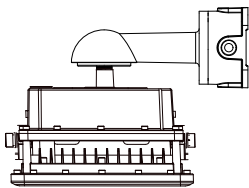


- Accessories



DIV-25PSupport

- Option 10: Wall Mounting with Junction Box (90 Degree)

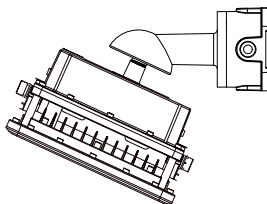


- Accessory



**Stanchion Arm
DIV-HD51-KYD 90**

- Option 11: Wall Mounting with Junction Box (25 Degree)



- Accessory



**Stanchion Arm
DIV-HD51-KYD 25**

Durable Lighting Made for Industrial Safety



Hazardous Location LED Luminaire D Series

Specsheet-2023-07 EN





D2



D



Product Description

The D Series LED luminaire is the ideal choice for marine and hazardous applications. They can be used in locations where moisture, dirt, dust, corrosion and vibration may be present, or areas where wind, water, snow or high ambient can be expected.

Features

- 0-10V dimming
- High luminous efficacy - Up to 140 lumens per watt
- Battery backup function available
- Compact and robust structure, excellent reliability
- Various installation ways for different applications
- Great impact resistance with IK08/IK10 certified
- Copper-free aluminum housing, great corrosion resistance and cooling performance

Compliance

UL 844 Hazardous Locations
Class I Division 1, Group C, D
Class I Division 2, Group A, B, C, D
Class II Division 1, Group E, F, G
Class II Division 2, Group F, G
Class III
Class I, Zone 1, Group IIB
Class II, Zone 21, Group IIIC
UL 1598 Wet Locations
UL 1598A Marine Outside Type
UL 924 Emergency Lighting
CSA
ETL
CB
ABS
DLC*
IP66/IP67
IK08 (glass cover)
IK10 (with wire guard)
1000 hours salt spray



Application

- Power Plants
- Heavy Industrials Storage Facility
- Paper mills
- Wastewater Treatment Plants
- Loading Docks Platforms
- Offshore Environments
- Chemical Processing Facility
- Petrochemical Processing Facility
- Metallurgical Industry
- Coal Mine
- Food and Alcohol industry



Warranty

5-Year Standard Warranty

LED lumen Maintenance: L70> 150,000 Operation Hours@55°C

Technical Parameter

• Electrical

Specification	DIV-20W D2Y1ZDA	DIV-40W D2Y1ZDA	DIV-60W D2Y1ZDA	DIV-80W D2Y1ZDA
Rated Power	20W	40W	60W	80W
Input Voltage	100-277/200-480VAC or 12-48VDC			
Input Frequency	50/60Hz			
Power Factor	> 0.95			
Emergency Time*	3 hours			

*Emergency function optional.

• Optical

Specification	DIV-20W D2Y1ZDA	DIV-40W D2Y1ZDA	DIV-60W D2Y1ZDA	DIV-80W D2Y1ZDA
Lumen Output	2720lm	5,600lm	8,400lm	11200lm
Lumens Per Watt	136lm/W	140lm/W	140lm/W	140lm/W
CCT	2700K-7000K			
CRI	> 70			
Beam Angle	40°/60°/90°/120°			
Dimming	0-10V dimming			

• Environmental

Specification	DIV-20W D2Y1ZDA	DIV-40W D2Y1ZDA	DIV-60W D2Y1ZDA	DIV-80W D2Y1ZDA
Ambient Operating Temperature	T4: -40°C to 55°C (-40°F to 131°F)			

• Mechanical

Specification	DIV-20W D2Y1ZDA	DIV-40W D2Y1ZDA	DIV-60W D2Y1ZDA	DIV-80W D2Y1ZDA
Housing Material	Copper-free aluminum			
Diffuser	Tempered glass			
Hardware	Stainless steel			
Protection	IP66/IP67/IK08 (glass cover)/IK10 (with wire guard)			
Mounting	Ceiling, Wall, Pole			
Cable Entry	Top: 3/4 NPT; Side: 3/4 NPT			

Technical Parameter

• Electrical

Specification	DIV-100W DY1ZDA	DIV-150W DY1ZDA	DIV-200W DY1ZDA	DIV-220W DY1ZDA
Rated Power	100W	150W	200W	220W
Input Voltage	100-277/200-480VAC or 12-48VDC			
Input Frequency	50/60Hz			
Power Factor	> 0.95			
Emergency Time*	3 hours			

*Emergency function optional.

• Optical

Specification	DIV-100W DY1ZDA	DIV-150W DY1ZDA	DIV-200W DY1ZDA	DIV-220W DY1ZDA
Lumen Output	14000lm	21000lm	28000lm	28600lm
Lumens Per Watt	140lm/W	140lm/W	140lm/W	130lm/W
CCT	2700K-7000K			
CRI	> 70			
Beam Angle	40°/60°/90°/120°			
Dimming	0-10V dimming			

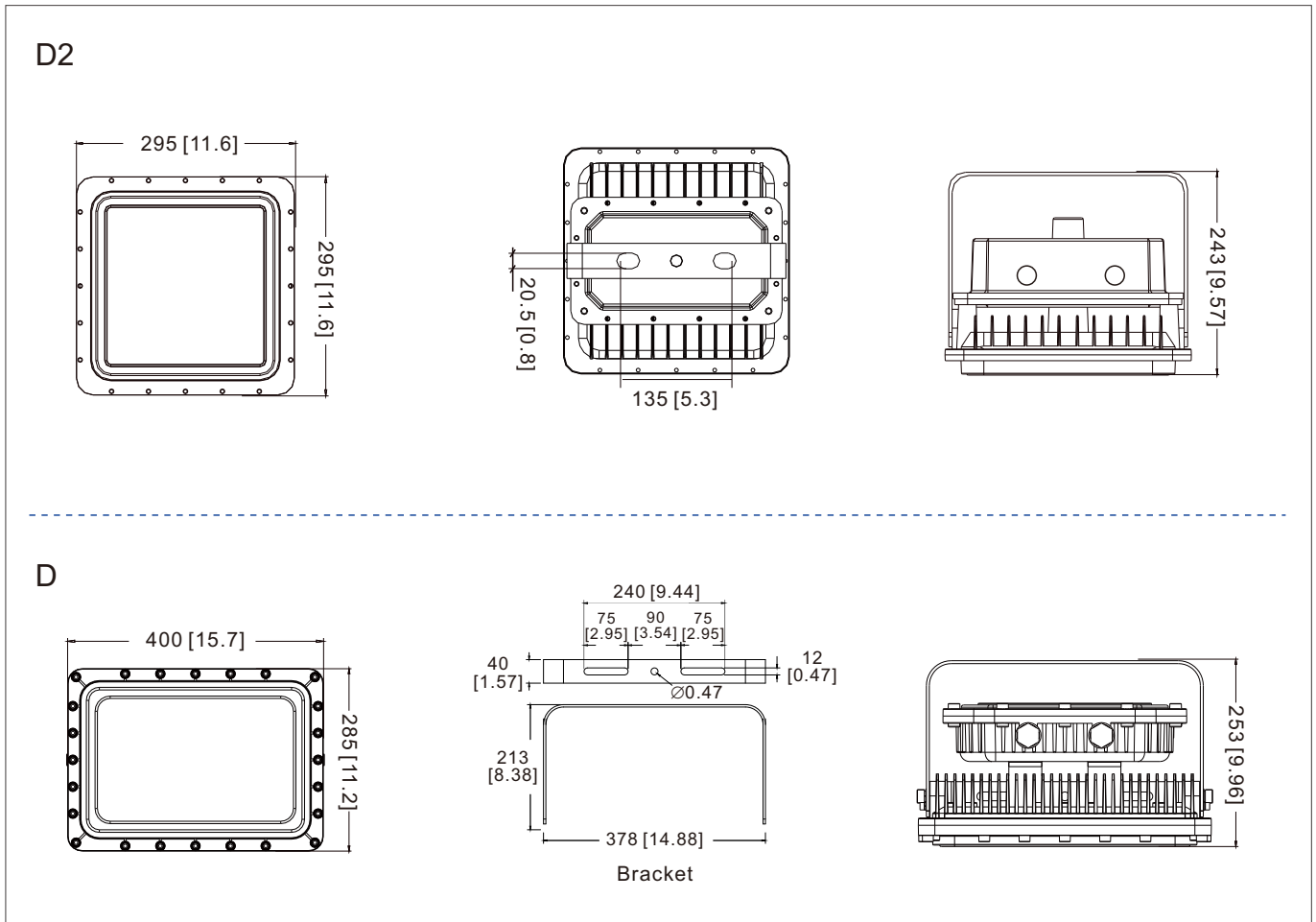
• Environmental

Specification	DIV-100W DY1ZDA	DIV-150W DY1ZDA	DIV-200W DY1ZDA	DIV-220W DY1ZDA
Ambient Operating Temperature	T4: -40°C to 55°C (-40°F to 131°F)	T4: -40°C to 55°C (-40°F to 131°F)	T4: -40°C to 45°C (-40°F to 113°F)	T4: -40°C to 45°C (-40°F to 113°F)

• Mechanical

Specification	DIV-100W DY1ZDA	DIV-150W DY1ZDA	DIV-200W DY1ZDA	DIV-220W DY1ZDA
Housing Material	Copper-free aluminum			
Diffuser	Tempered glass			
Hardware	Stainless steel			
Protection	IP66/IP67/IK08 (glass cover)/IK10 (with wire guard)			
Mounting	Ceiling			
Cable Entry	Side: 3/4 NPT			

Product Dimensions Unit: mm [inch]

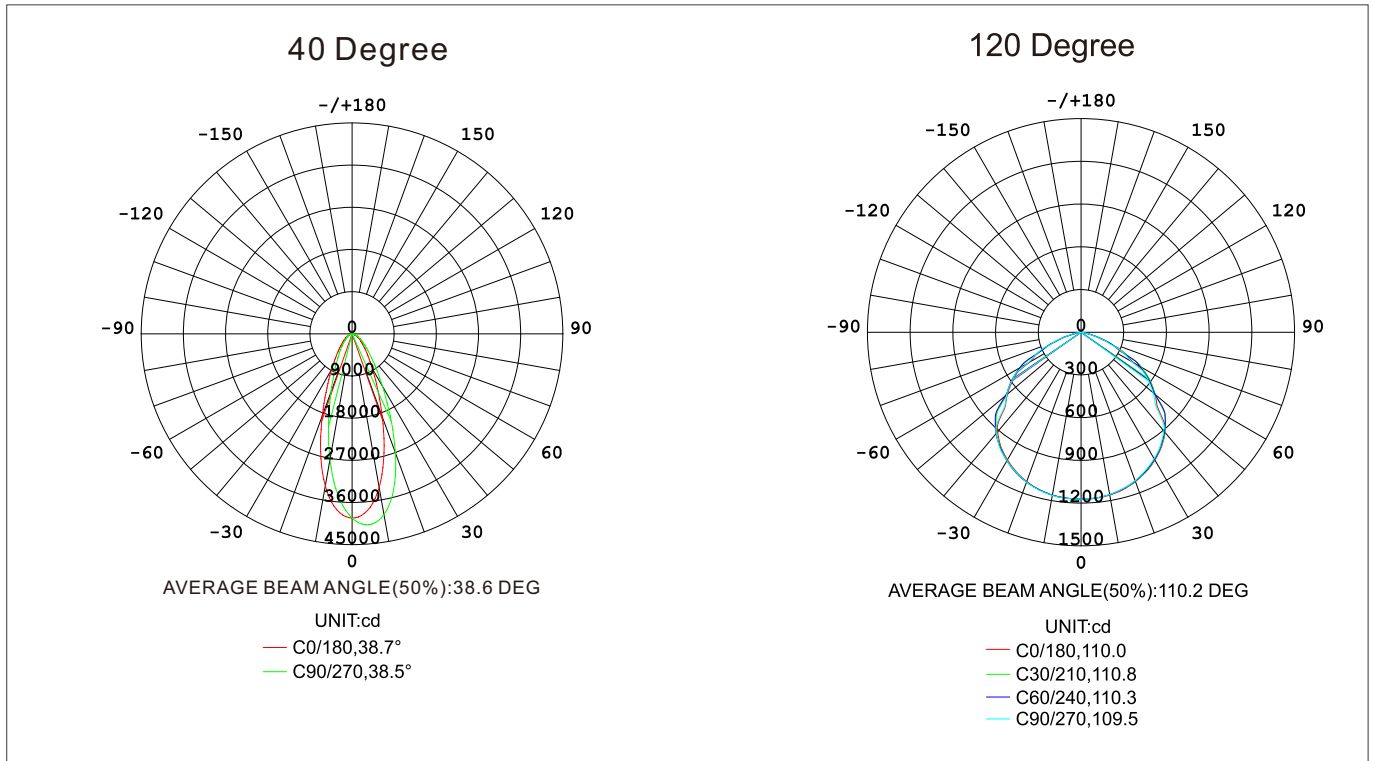


• Packing Information

Model	Net Weight*	Gross Weight*	Quantity/Carton	Package Dimensions (LxWxH)
D2	7 kg/ 15.43 lb	9.5 kg/ 20.94 lb	1 pc	400x385x335mm/15.75x15.16x13.19inch
D	17.9 kg/ 39.46 lb	19.5 kg/ 42.99 lb	1 pc	502x376x350mm/19.76x14.80x13.78inch

*Please note that net weight and gross weight may be subject to change because of actual configuration.

Photometric



Ordering Guide

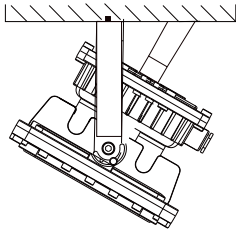
DIV
yyyW
X
Y
Z
D
A
-1

1
2
3
4
5
6
7
8

1. Product Categories	2. Wattage	3. Shell Shape Series	4. Dimming or Not
Explosion Proof Light	D2: 20/40/60/80W D: 100/150/200/220W	“X” Can be: D D2	“Y” Can be: D: Dimmable N: Non-dimmable
5. Color Temperature	6. Beam Angle	7. Spherical glass cover optional	8. Optional
“Z” can be 27 to 70 denotes 2700K to 7000K, and each 100K gradually increase, max 7000K	D40=40° D60=60° D90=90° D120=120°	“A” = C: spherical glass cover	“-1” NA (optional)

Mounting Methods and Accessories

- Option 1: Ceiling Mounting (for D2)

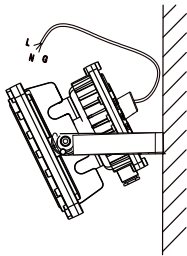


- Accessory



Bracket

- Option 2: Wall Mounting (for D2)

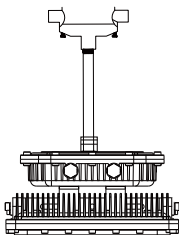


- Accessory



Bracket

- Option 3: Pole Mounting (Vertical) (for D2)



- Accessories

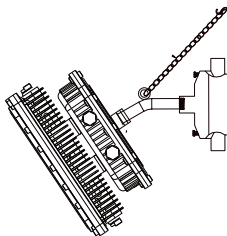


Junction Box
DIV-HD51-KB1



Pole
DIV-Straight Pipe

- Option 4: Pole Mounting (Non-vertical) (for D2)



- Accessories



Junction Box DIV-
HD51-KB1



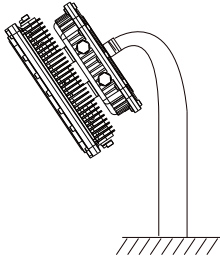
Pole
DIV-Bended Pipe



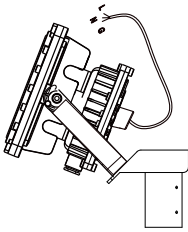
Pendant Chain
DIV-Straight Chain

Mounting Methods and Accessories

- Option 5: Pole Mounting (for D2)



- Option 6: Trunnion Mounting (for D2)

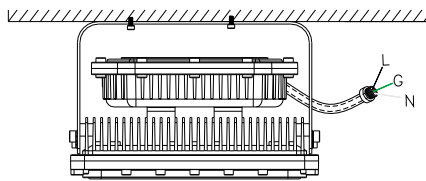


- Accessory



**DIV-Slip
Fitter Mounting Kit**

- Ceiling Mounting (for D)



- Accessory



Bracket

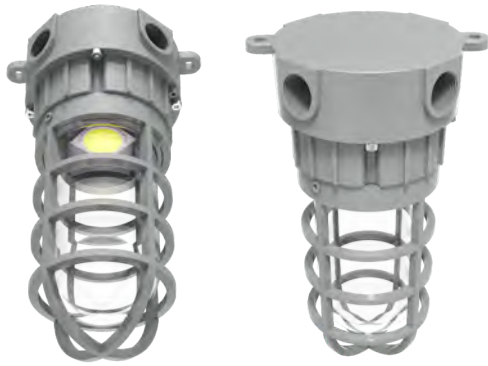
Durable Lighting Made for Industrial Safety



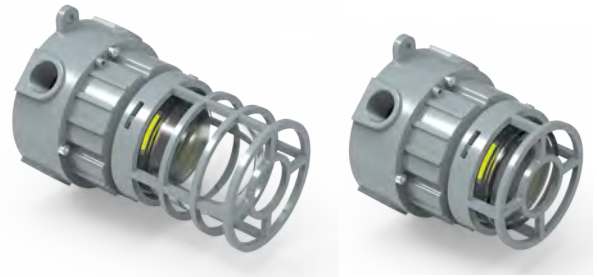
Hazardous Location LED Luminaire O Series (for North America)

Specsheet-2024-01 EN





Globe guard



Flat guard



Product Description

The O Series LED luminaire is the ideal choice for marine and hazardous applications. They can be used in locations where moisture, dirt, dust, corrosion and vibration may be present, or areas where wind, water, snow or high ambient can be expected.

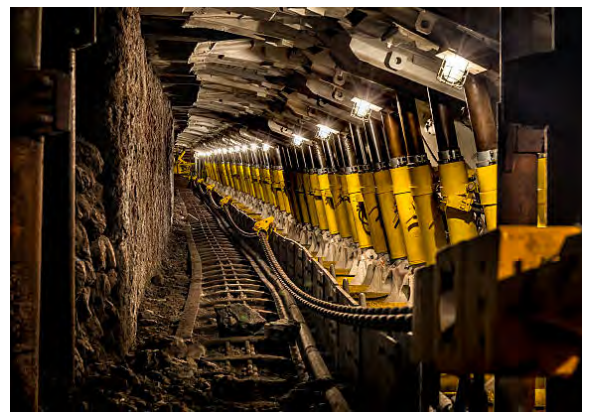
Compact structure and small size, ideal for use in various places where spot light is required, such as mine, brewery, aisle, etc.

Features

- Compact structure, small size and light weight for easy installation
- Protective metal guard against potential damage
- Various installation ways for different applications
- Great impact resistance with IK08 certified
- Copper-free aluminum housing, great corrosion resistance and cooling performance
- Waterproof and dust-proof, no need for internal cleaning and maintenance
- Tempered glass for high heat resistance
- The maximum power is 30W

Compliance

UL 844 Hazardous Locations
 Class I Division 2, Group A, B, C, D
 Class II Division 1, Group E, F, G
 Class II Division 2, Group F, G
 Class III
 UL 1598 Wet Locations
 UL 1598A Marine Outside Type
 UL 8750 LED Safety
 UL 924 Emergency Lighting
 ABS
 CSA
 DLC
 IP66
 IK08
 DIV-20W ON50D120CM1
 DIV-30W ON50D120CM1
 DIV-40W ON50D120CM1



Application

- Power Plants
- Heavy Industrials Storage Facility
- Paper mills
- Wastewater Treatment Plants
- Loading Docks Platforms
- Offshore Environments
- Chemical Processing Facility
- Petrochemical Processing Facility
- Metallurgical Industry
- Coal Mine
- Food and Alcohol industry



Warranty

5-Year Standard Warranty
 LED lumen Maintenance: L70> 150,000 Operation Hours@55°C

Technical Parameter

• Electrical

Specification	DIV-10W-OYZDAM	DIV-20W-OYZDAM	DIV-30W-OYZDAM
Rated Power	10W	20W	30W
Input Voltage	100-277VAC		
Input Frequency	50/60Hz		
Power Factor	> 0.95		

• Optical

Specification	DIV-10W-OYZDAM	DIV-20W-OYZDAM	DIV-30W-OYZDAM
Lumen Output	1000lm	2000lm	3000lm
Lumens Per Watt	100lm/W		
CCT	3000K-6500K		
CRI	> 70		
Dimming	0-10V dimming		

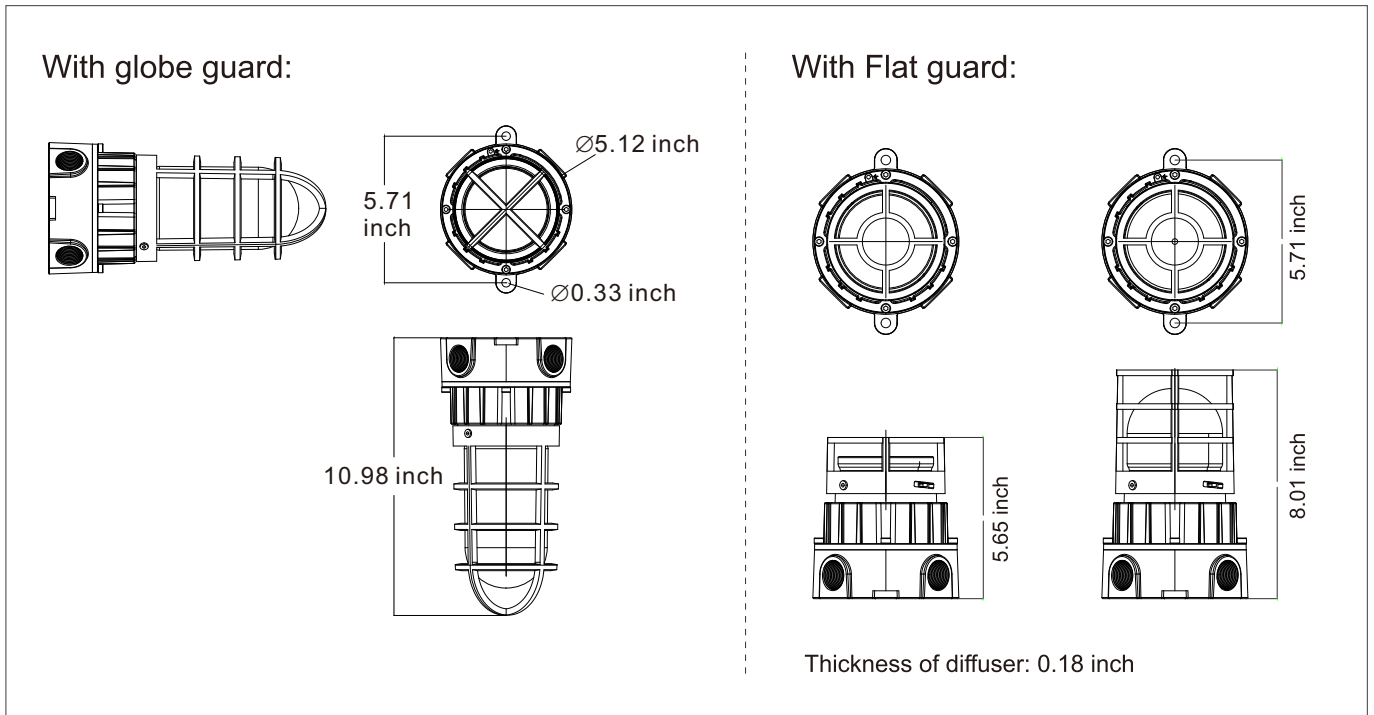
• Environmental

Specification	DIV-10W-OYZDAM	DIV-20W-OYZDAM	DIV-30W-OYZDAM
Ambient Temperature - Normal	T6/T80°C: -40°C to +25°C (-40°F to +77°F) T5/T95°C: -40°C to +40°C (-40°F to +104°F) T4/T130°C: -40°C to +60°C (-40°F to +140°F)		
Ambient Temperature - Emergency	T4/T130°C: -10°C to +40°C (14°F to +104°F)		

• Mechanical

Specification	DIV-10W-OYZDAM	DIV-20W-OYZDAM	DIV-30W-OYZDAM
Housing Material	Copper-free aluminum		
Diffuser	Tempered glass (both frosted and clear are available)		
Protection	IP66/IK08		
Mounting	Ceiling, Pole, Wall		
Outlet	Regular 1 meter		
Cable Entries	There are four cable entries are at side wall of luminaire housing which are used to install M25, M20, NPT 1/2" or NPT 3/4" certified cable glands or stopping plugs with suitable IP code.		

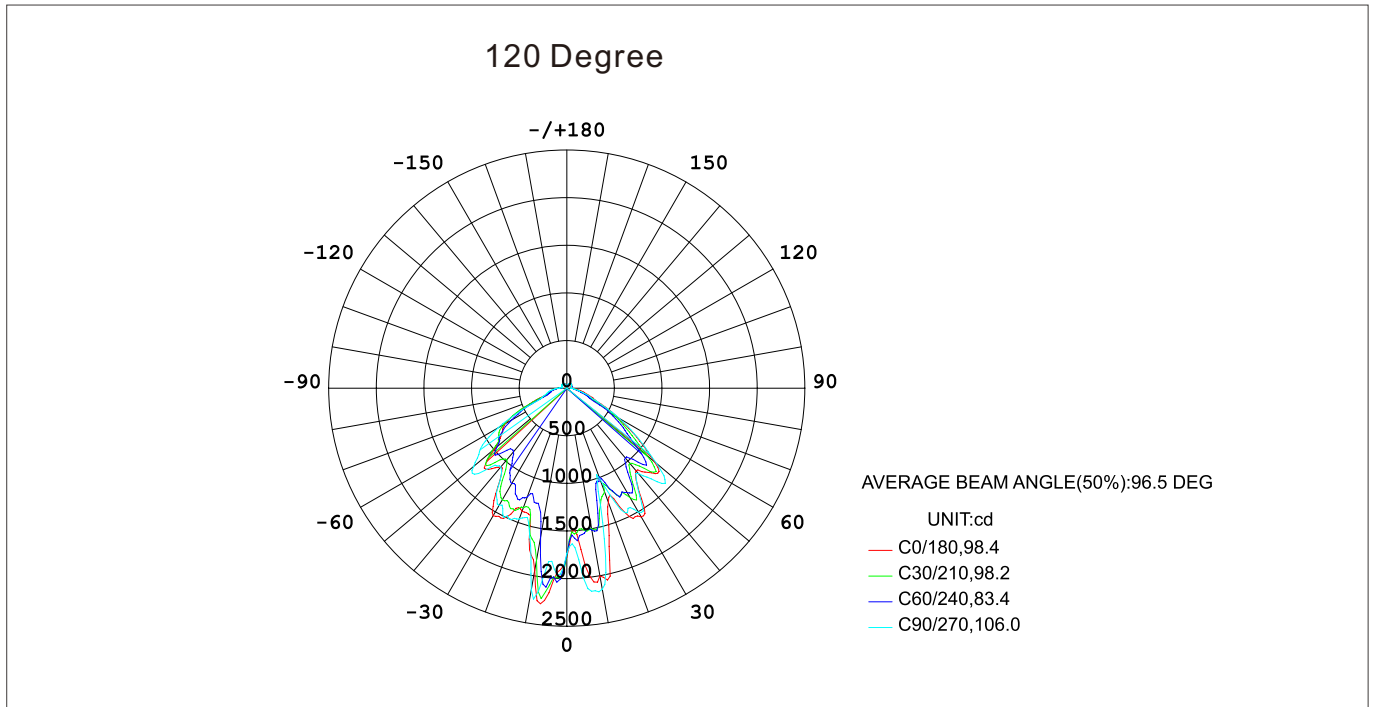
Product Dimensions



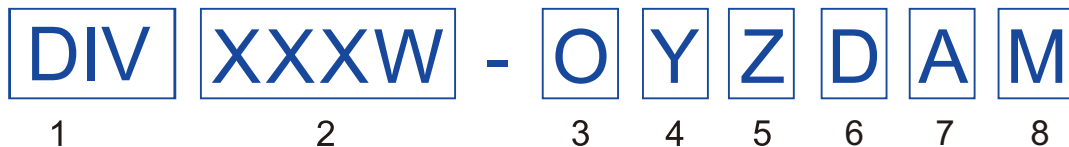
• Packing Information

Model	Image	Net Weight	Gross Weight	Quantity/Carton	Package Dimensions (LxWxH)
O (with Globe Guard; Top Suction Installation)		5.95 lb	7.06 lb	1 pc	14.56x10.63x9.45inch
O (with Globe Guard; 90 Degree Wall Mounting)		8.16 lb	9.26 lb	1 pc	16.54x13.39x9.45inch
O (with flat guard)	/	4.41 lb	5.51lb	1 pc	10.43x14.96x10.04 inch

Photometric



Ordering Guide

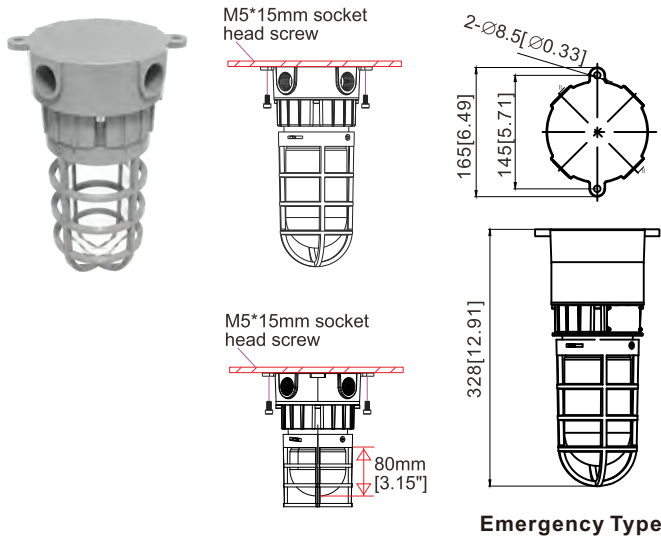


1. Product Category	2. Wattage	3. Product Series	4. Dimmable Option
Ex: Explosion Proof Product	Can be: 10W/20W/30W/40W	O: O series	Can be: Y: dimmable N: non-dimmable

5. Color Temperature	6. Beam Angle	7. Glass Type	8. Mounting Type
Can be 30, 40,..., 65 denotes 3000K, 4000K, ..., 6500K	D	Can be: C: Globe glass P: Plate short glass B: Middle long globe glass	Can be: M1: Ceiling mounting M2: Pole mounting M3: 90 degree wall mounting

Mounting Methods and Accessories Unit: mm [inch]

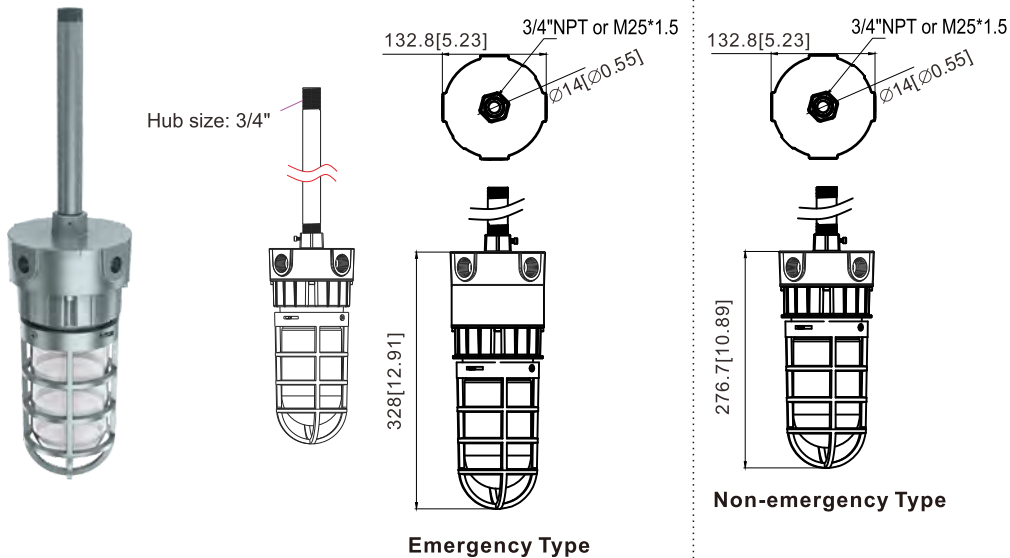
• Option 1: Ceiling Mounting



• Accessories



• Option 2: Pole Mounting

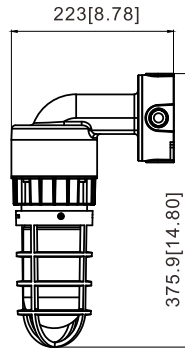
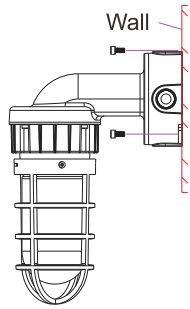


• Accessories

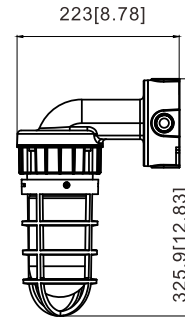
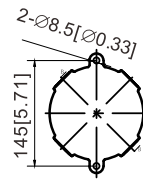


Mounting Methods and Accessories Unit: mm [inch]

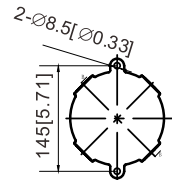
- Option 3: 90 Degree Wall Mounting



Emergency Type



Non-emergency Type

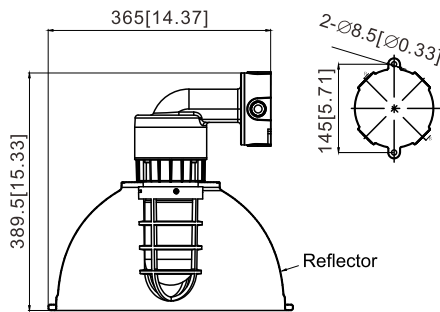


- Accessory

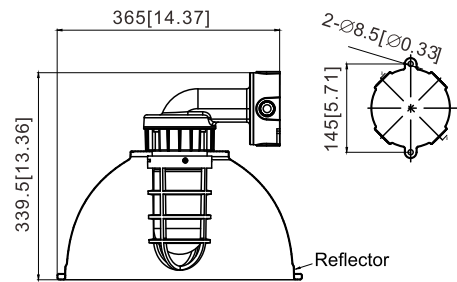
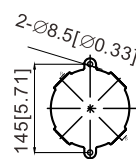


Wall Elbow

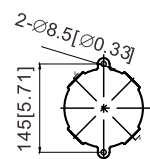
- Option 4: 90 Degree Wall Mounting with Reflector



Emergency Type



Non-emergency Type



- Accessories



Wall Elbow



Reflector

Spare Parts



Ceiling/Wall



Ceiling/Wall (Interior Detail)



Reflector



Heat Sink



Globe Glass



Globe Guard



Extension



Main Part



Flat Glass



Flat Guard



Clear

Durable Lighting Made for Industrial Safety



Hazardous Location LED Luminaire G Series

Specsheet-2023-07 EN





Flat glass is standard.



Flat glass with flat wire guard is optional.



Spherical glass is optional. The wire guard is generally configured with a spherical glass. If wire guard is not needed, customer can make a note when placing an order.



Product Description

The G Series LED luminaire is the ideal choice for marine and hazardous applications. They can be used in locations where moisture, dirt, dust, corrosion and vibration may be present, or areas where wind, water, snow or high ambient can be expected.

Features

- 0-10V dimming
- Emergency function optional
- Compact and robust structure, excellent reliability
- Various installation ways for different applications
- Great impact resistance with IK08/IK10 certified
- Copper-free aluminum housing, great corrosion resistance and cooling performance

Compliance

UL 844 Hazardous Locations
Class I Division 1, Group C, D
Class I Division 2, Group A, B, C, D
Class II Division 1, Group E, F, G
Class II Division 2, Group F, G
Class III
Class I, Zone 1, Group IIB
Class II, Zone 21, Group IIIC
UL 1598 Wet Locations
CSA C22.2#137:2018 Ed.2
CSA C22.2#250.0:2021 Ed.5
ETL (ATM for Report 105342415DAL-001/003)
ABS
IP66
IK10



Application

- Power Plants
- Heavy Industrials Storage Facility
- Paper mills
- Wastewater Treatment Plants
- Loading Docks Platforms
- Offshore Environments
- Chemical Processing Facility
- Petrochemical Processing Facility
- Metallurgical Industry
- Coal Mine
- Food and Alcohol industry



Warranty

5-Year Standard Warranty
LED lumen Maintenance: L70> 150,000 Operation Hours@55°C

Technical Parameter

• Electrical

Specification	EX-10W GYZDA	EX-20W GYZDA	EX-30W GYZDA	EX-40W GYZDA	EX-50W GYZDA
Rated Power	10W	20W	30W	40W	50W
Input Voltage	100-277VAC				
Input Frequency	50/60Hz				
Power Factor	> 0.95				
Emergency Time*	3 hours				

*Emergency function optional.

• Optical

Specification	EX-10W GYZDA	EX-20W GYZDA	EX-30W GYZDA	EX-40W GYZDA	EX-50W GYZDA
Lumen Output	1140lm	2280lm	3300lm	4400lm	5450lm
Lumens Per Watt	114lm/W	114lm/W	110lm/W	110lm/W	109lm/W
CCT	2700K-7000K				
CRI	> 70				
Beam Angle	40°/60°/90°/120°				
Dimming	0-10V dimming				

• Environmental

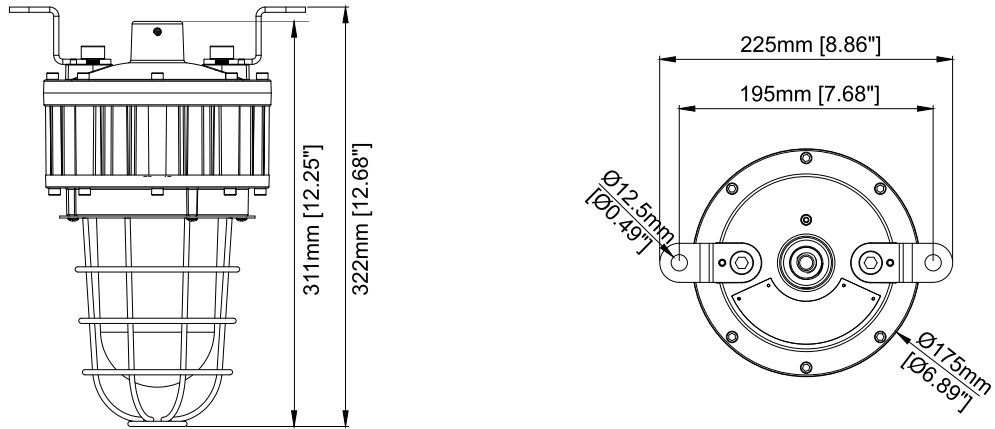
Specification	EX-10W GYZDA	EX-20W GYZDA	EX-30W GYZDA	EX-40W GYZDA	EX-50W GYZDA
Ambient Temperature	-40°C to 65°C (-40°F to 149°F), T4; -40°C to 40°C (-40°F to 104°F)				

• Mechanical

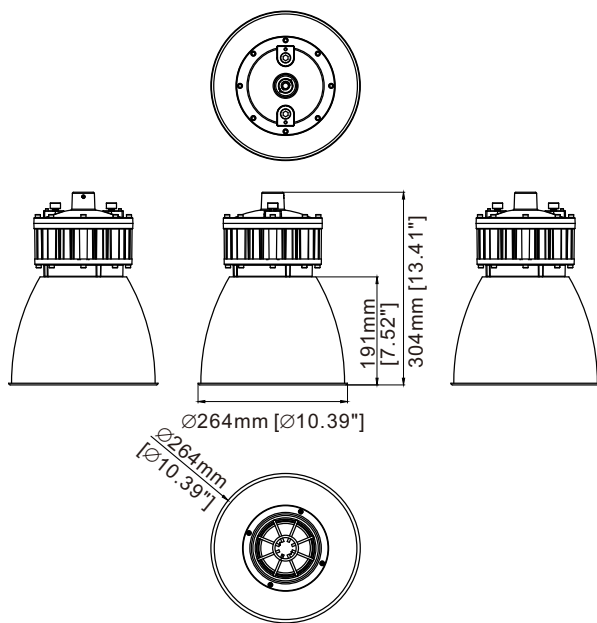
Specification	EX-10W GYZDA	EX-20W GYZDA	EX-30W GYZDA	EX-40W GYZDA	EX-50W GYZDA
Housing Material	Copper-free aluminum				
Diffuser	Tempered glass				
Hardware	Stainless steel				
Protection	IP66/IK10				
Mounting	Ceiling, Pole, Pendant, Wall				
Cable Entry	Top outlet: 3/4 NPT (standard), M25 (optional) <i>Notice: The standard product only has a top outlet. If customer needs to make a side outlet, it can also be done. The side outlet is 1/2 NPT or M25. For more information, please consult your sales representative.</i>				

Product Dimensions

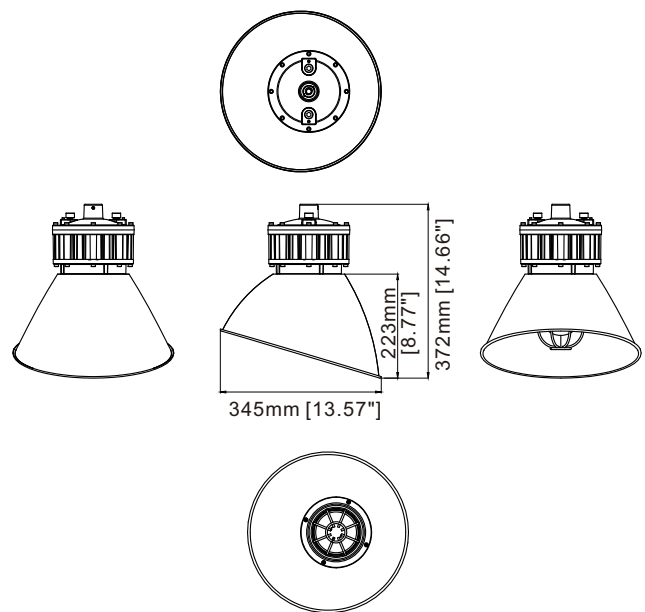
with spherical glass and wire guard



with lamp shade



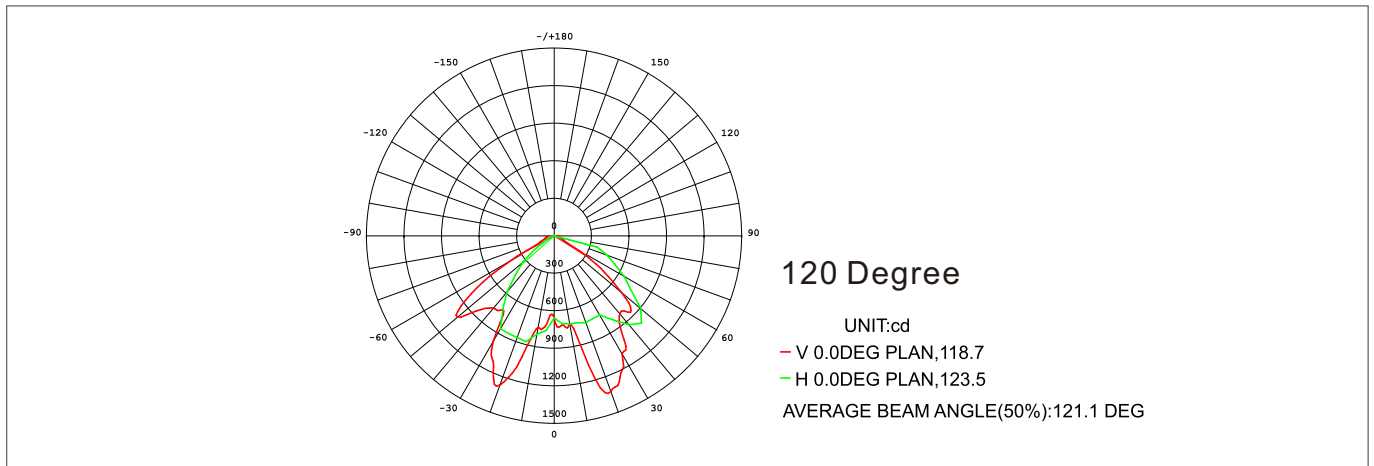
with cut-off lamp shade



• Packing Information

Model	Net Weight	Gross Weight	Quantity/Carton	Package Dimensions (LxWxH)
G (with flat glass)	4.86 kg/10.71 lb	5.2kg/11.46 lb	1 pc	380x270x270mm/ 14.96x10.63x10.63inch
G (with spherical glass and wire guard)	5.36 kg/11.82 lb	6.3 kg/13.89 lb	1 pc	400x280x280mm/ 15.75x11.02x11.02inch
G (with 25° pole stanchion)	6.5 kg/ 14.33 lb	8 kg/ 17.64 lb	1 pc	510x560x260mm/ 20.08x22.05x10.24inch

Photometric



Ordering Guide

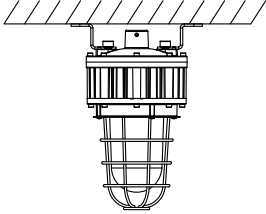
EX - yyyW X Y Z D A - 1

1
2
3
4
5
6
7
8

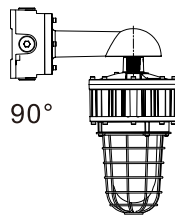
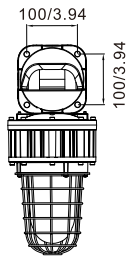
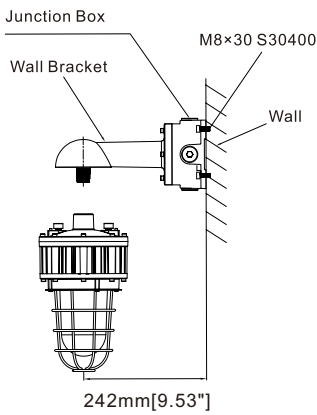
1. Product Categories	2. Wattage	3. Shell Shape Series	4. Dimming or Not
Explosion Proof Light	10/20/30/40/50W	“X” Can be G	“Y” Can be: D: Dimmable N: Non-dimmable
5. Color Temperature	6. Beam Angle	7. Spherical Glass Cover Optional	8. Optional
“Z” can be 27 to 70 denotes 2700K to 7000K, and each 100K gradually increase, max 7000K	D40=40° D60=60° D90=90° D120=120°	“A” = C: spherical glass	“-1” NA (optional)

Mounting Methods and Accessories

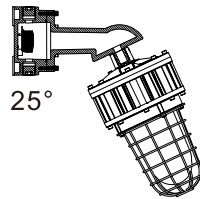
• Option 1: Ceiling Mounting



• Option 2: Wall Mounting



90°



25°

• Accessories

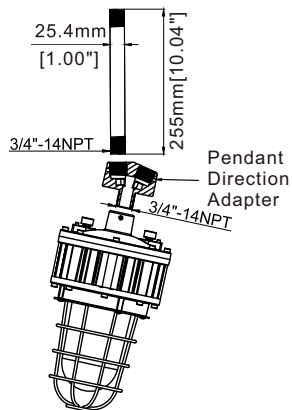
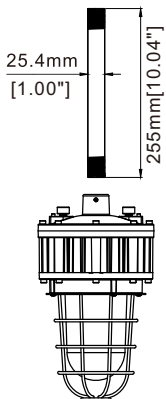


Stanchion Arm
EX-HD51-KYD 90

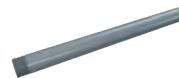


Stanchion Arm
EX-HD51-KYD 25

• Option 3: Pendant Mounting (Vertical)



• Accessories



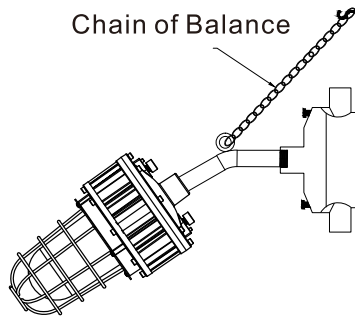
Pole
Ex-Straight Pipe



Pendant Direction Adapter
Ex-D01

Mounting Methods and Accessories

- Option 4: Pendant Mounting (Non-vertical)



- Accessories



Junction Box
EX-HD51-KB1



Pole
Ex-Bended Pipe



Pendant Chain
Ex-Straight Chain

- Other Optional Accessories



Lamp Shade



Cut-off Lamp Shade

Durable Lighting Made for Industrial Safety

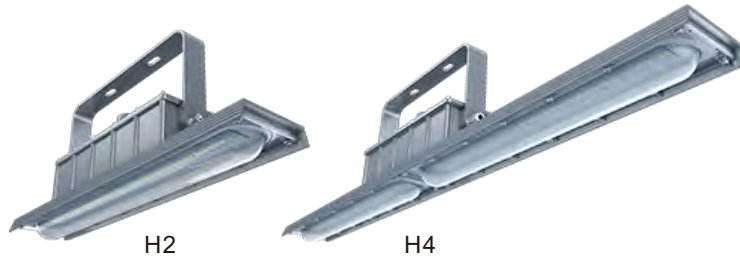


Hazardous Location LED Luminaire H Series (for North America)

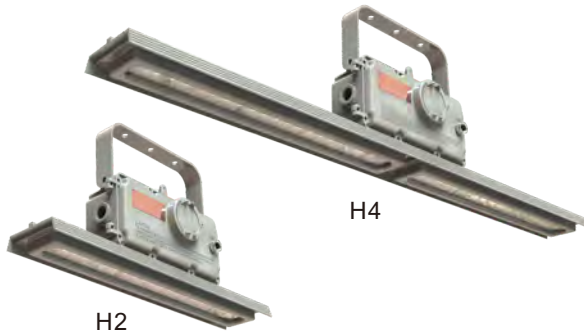
Specsheet-2023-07 EN



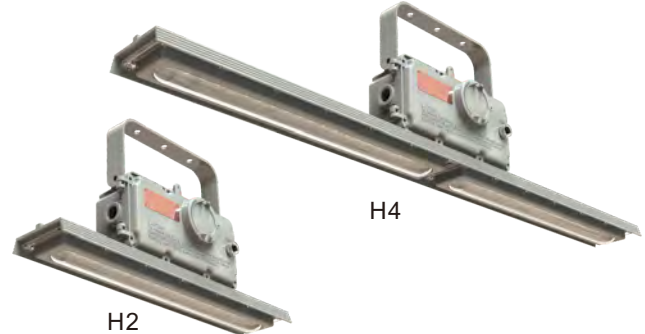
Regular Model



Side Opening Cover Model (Flat Glass)



Side Opening Cover Model (Convex Glass)



Product Description

The H Series LED luminaire is the ideal choice for marine and hazardous applications where a linear design is required. They can be used in locations where moisture, dirt, dust, corrosion and vibration may be present, or areas where wind, water, snow or high ambient can be expected.

Features

- 0-10V dimming
- Emergency function optional
- Compact and robust structure, excellent reliability
- Various installation ways for different applications
- Great impact resistance with IK08/IK10 certified
- Copper-free aluminum housing, great corrosion resistance and cooling performance

Compliance

UL 844 Hazardous Locations
Class I Division 2, Group A, B, C, D
Class II Division 2, Group F, G
Class III
Class I, Zone 2, Group IIC
Class II, Zone 21, Group IIIC
UL 1598 Wet Locations
UL 1598A Marine Outside Type
UL 924 Emergency Lighting
CSA
ETL ABS
DLC*
IP66/IP67
IK08 (glass cover)
IK10 (with wire guard)
1000 hours salt spray



Application

- Power Plants
- Heavy Industrials Storage Facility
- Paper mills
- Wastewater Treatment Plants
- Loading Docks Platforms
- Offshore Environments
- Chemical Processing Facility
- Petrochemical Processing Facility
- Metallurgical Industry
- Coal Mine
- Food and Alcohol industry



Warranty

5-Year Standard Warranty
LED lumen Maintenance: L70> 150,000 Operation Hours@55°C

Technical Parameter

• Electrical

Specification	DIV-20W H2YZDA	DIV-40W H2YZDA
Rated Power	20W	40W
Input Voltage	100-277/200-480VAC, 12-36VDC	
Input Frequency	50/60Hz	
Power Factor	> 0.95	
Emergency Time*	3 hours	

*Emergency function optional.

• Optical

Specification	DIV-20W H2YZDA	DIV-40W H2YZDA
Lumen Output	2800lm	5600lm
Lumens Per Watt	140lm/W	
CCT	2700K-6500K	
CRI	> 70	
Beam Angle	120°	
Dimming	0-10V dimming	

• Environmental

Specification	DIV-20W H2YZDA	DIV-40W H2YZDA
Ambient Operating Temperature	-40°C to 60°C (-40°F to 140°F)	
Temperature Code	T3	

• Mechanical

Specification	DIV-20W H2YZDA	DIV-40W H2YZDA
Housing Material	Copper-free aluminum	
Diffuser	Clear flat glass/ convex PC (clear or milky white)	
Hardware	Stainless steel	
Protection	IP66/IP67/IK08 (glass cover)/IK10 (with wire guard)/1000 hours salt spray	
Mounting	Ceiling, Wall, Pole, Pendant, Chain	
Cable Entries	Regular Model	Top: 3/4 NPT(standard), 1/2 NPT Two sides: 3/4 NPT(standard), 1/2 NPT
	Side Opening Cover Model	Top: 3/4 NPT(standard), 1/2 NPT Two sides: 3/4 NPT(standard), 1/2 NPT; plug or cable entry optional

Technical Parameter

• Electrical

Specification	DIV-40W H4YZDA	DIV-60W H4YZDA	DIV-80W H4YZDA
Rated Power	40W	60W	80W
Input Voltage	100-277/200-480VAC, 12-36VDC		
Input Frequency	50/60Hz		
Power Factor	> 0.95		
Emergency Time*	3 hours		

*Emergency function optional.

• Optical

Specification	DIV-40W H4YZDA	DIV-60W H4YZDA	DIV-80W H4YZDA
Lumen Output	5600lm	8400lm	11200lm
Lumens Per Watt	140lm/W		
CCT	2700K-6500K		
CRI	> 70		
Beam Angle	120°		
Dimming	0-10V dimming		

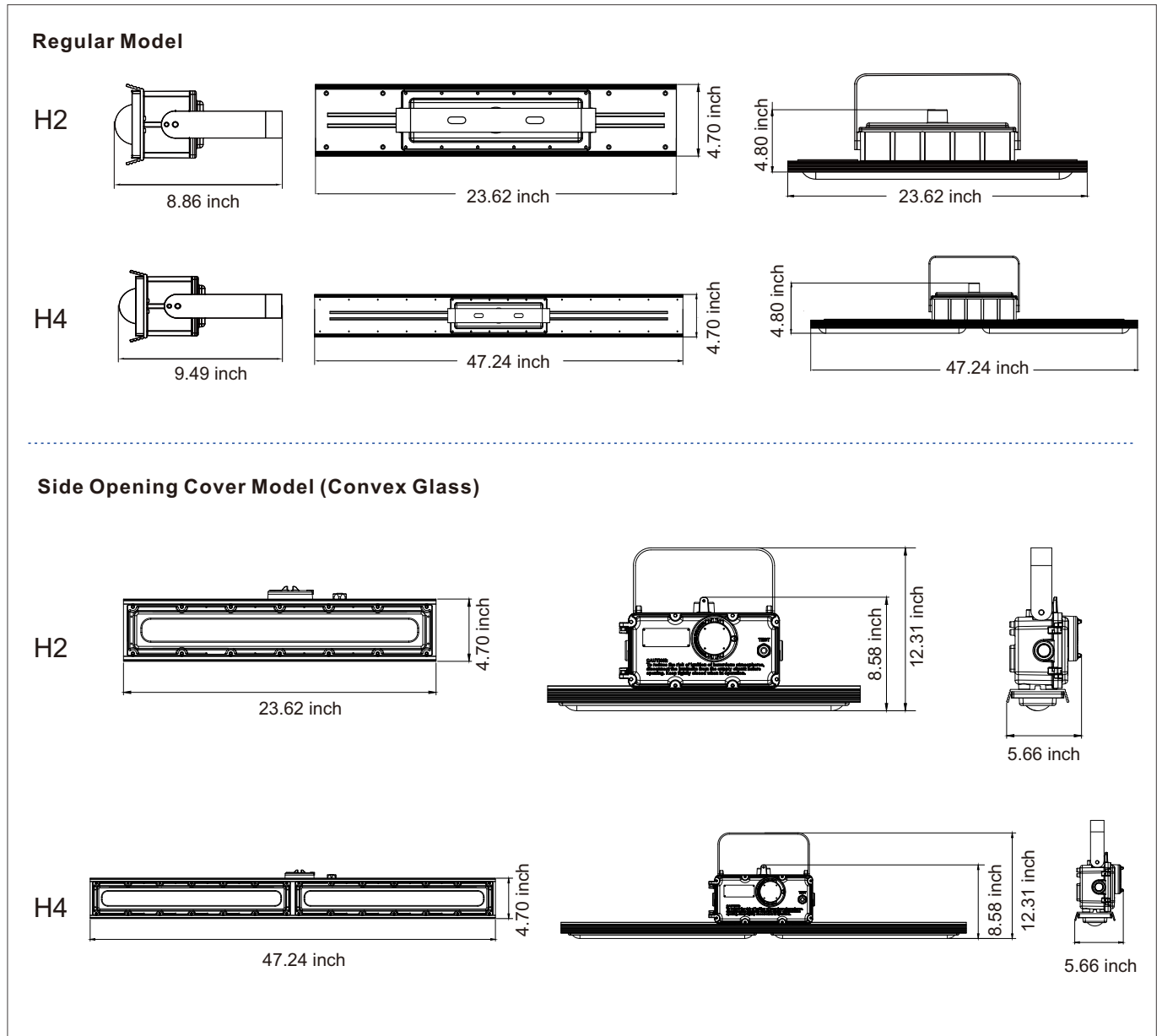
• Environmental

Specification	DIV-40W H4YZDA	DIV-60W H4YZDA	DIV-80W H4YZDA
Ambient Operating Temperature	-40°C to 60°C (-40°F to 140°F)		
Temperature Code	T3		

• Mechanical

Specification	DIV-40W H4YZDA	DIV-60W H4YZDA	DIV-80W H4YZDA
Housing Material	Copper-free aluminum		
Diffuser	Clear flat glass/ convex PC (clear or milky white)		
Hardware	Stainless steel		
Protection	IP66/IP67/IK08 (glass cover)/IK10 (with wire guard)/1000 hours salt spray		
Mounting	Ceiling, Wall, Pole, Pendant, Chain		
Cable Entries	Regular Model	Top: 3/4 NPT(standard), 1/2 NPT Two sides: 3/4 NPT(standard), 1/2 NPT	
	Side Opening Cover Model	Top: 3/4 NPT(standard), 1/2 NPT Two sides: 3/4 NPT(standard), 1/2 NPT; plug or cable entry optional	

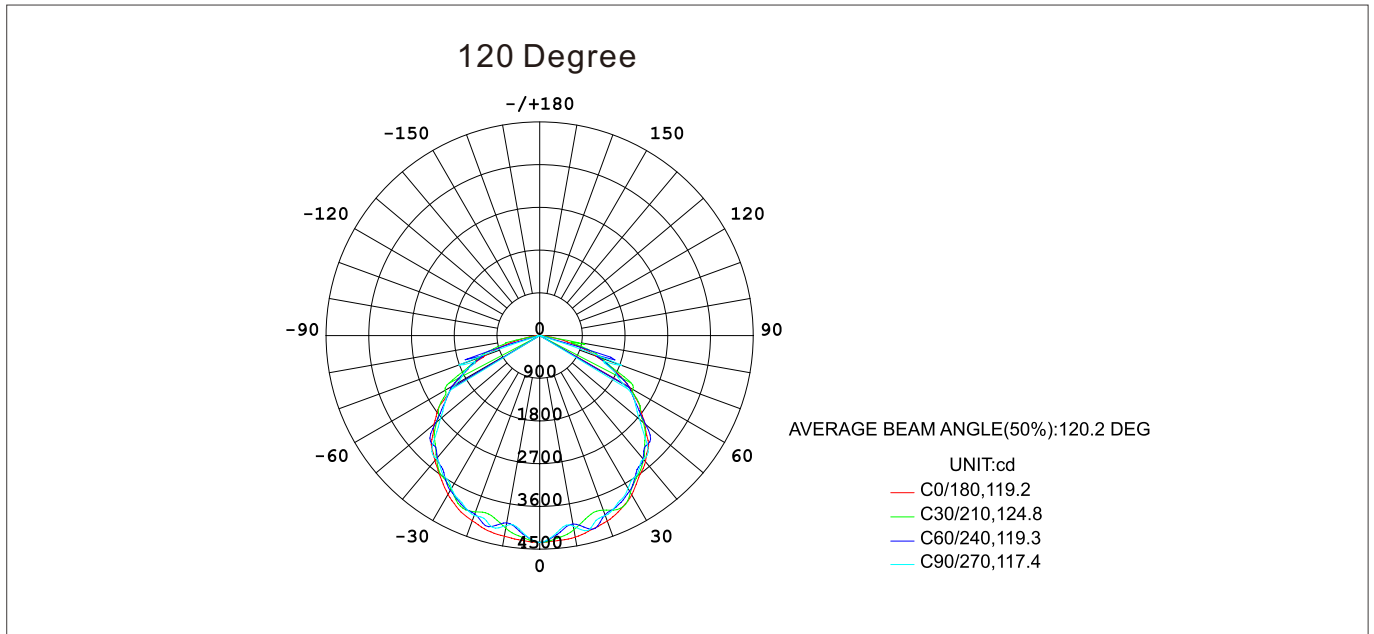
Product Dimensions



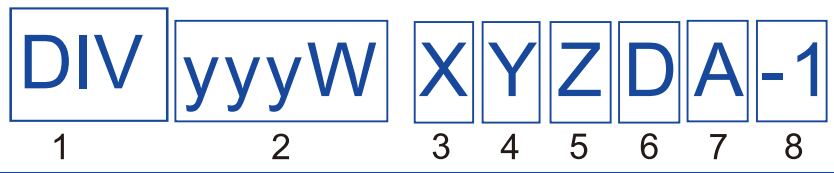
• Packing Information

Model	Net Weight	Gross Weight	Quantity/Carton	Package Dimensions (LxWxH)
H2 (Regular)	8.82 lb	22.60 lb	2 pcs	27.95x16.93x12.60inch
H4 (Regular)	12.13 lb	31.97 lb	2 pcs	51.97x16.54x12.99inch
H2 (Side Opening Cover Model)	8.82 lb	22.60 lb	2 pcs	27.95x16.93x12.60inch
H4 (Side Opening Cover Model)	12.13 lb	31.97 lb	2 pcs	51.97x16.54x12.99inch

Photometric



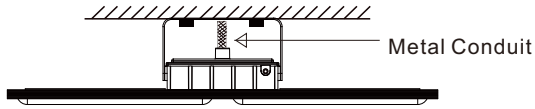
Ordering Guide



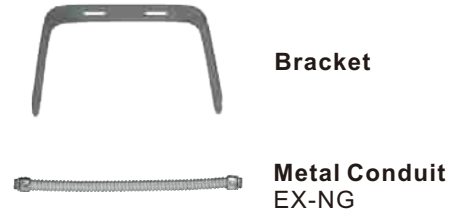
1. Product Categories	2. Wattage	3. Shell Shape Series	4. Dimming or Not
Explosion Proof Light	H2: 20/40W H4: 40/60/80W	“X” Can be: H2 H4	“Y” Can be: D: dimmable N: non-dimmable
5. Color Temperature	6. Beam Angle	7. Spherical Glass Cover Optional	8. Optional
“Z” can be 27 to 70 denotes 2700K to 7000K, and each 100K gradually increase, max 7000K	“D” can be: D120: 120°	“A” = C: spherical glass Blank: non long glass cover	“-1” NA (optional)

Mounting Methods and Accessories

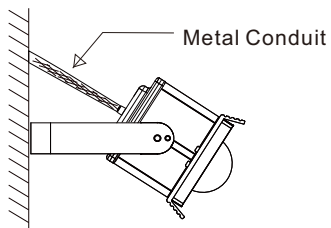
- Option 1: Ceiling Mounting



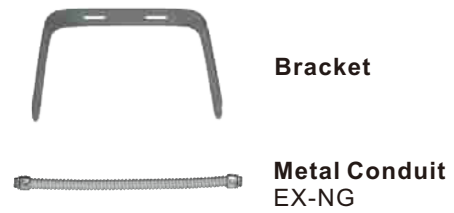
- Accessory



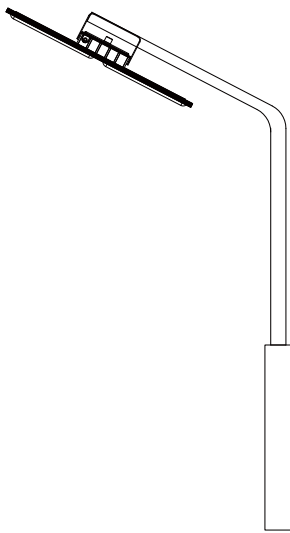
- Option 2: Wall Mounting



- Accessory



- Option 3: Pole Mounting

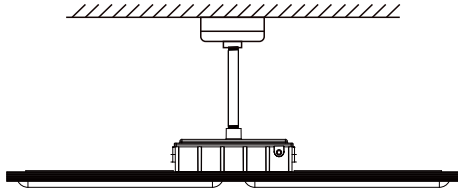


- Accessory



Mounting Methods and Accessories

- Option 4: Pendant Mounting



- Accessories

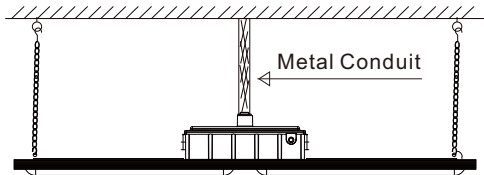


Junction Box
EX-HD51-KB1



Pole
Ex-Straight Pipe

- Option 5: Chain Mounting



- Accessories



Pendant Chain
Ex-Straight Chain



Metal Conduit
EX-NG

Durable Lighting Made for Industrial Safety



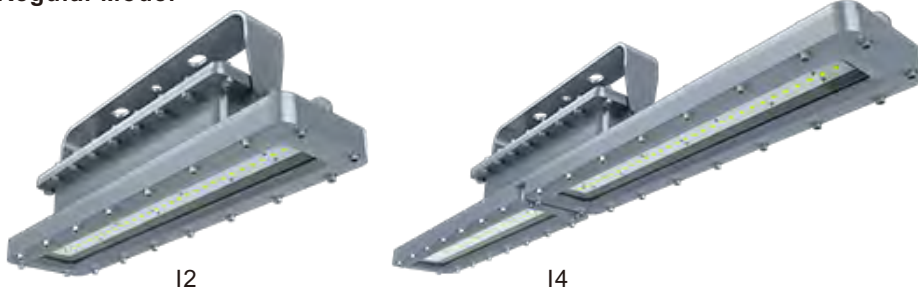
Hazardous Location LED Luminaire I Series (for North America)

Specsheet-2023-07 EN

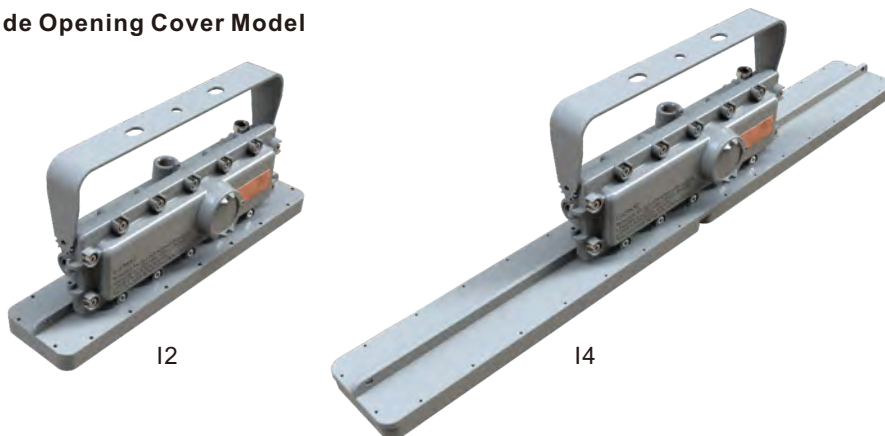


Explosion-proof Light I Series (for North America)

Regular Model



Side Opening Cover Model



Product Description

The I Series LED luminaire is the ideal choice for marine and hazardous applications where a linear design is required. They can be used in locations where moisture, dirt, dust, corrosion and vibration may be present, or areas where wind, water, snow or high ambient can be expected.

Features

- 0-10V dimming
- Emergency function optional
- Compact and robust structure, excellent reliability
- Various installation ways for different applications
- Great impact resistance with IK08/IK10 certified
- Copper-free aluminum housing, great corrosion resistance and cooling performance

Compliance

UL 844 Hazardous Locations
 Class I Division 1, Group C, D
 Class I Division 2, Group A, B, C, D
 Class II Division 1, Group E, F, G
 Class II Division 2, Group F, G
 Class III
 Class I, Zone 1, Group IIB
 Class II, Zone 21, Group IIIC
 UL 1598 Wet Locations
 UL 1598A Marine Outside Type
 UL 924 Emergency Lighting
 CSA
 ETL (ABS
 DLC*
 IP66/IP67
 IK08 (glass cover)
 IK10 (with wire guard)



Application

- Power Plants
- Heavy Industrials Storage Facility
- Paper mills
- Wastewater Treatment Plants
- Loading Docks Platforms
- Offshore Environments
- Chemical Processing Facility
- Petrochemical Processing Facility
- Metallurgical Industry
- Coal Mine
- Food and Alcohol industry



Warranty

5-Year Standard Warranty
 LED lumen Maintenance: L70> 150,000 Operation Hours@55°C

Technical Parameter

• Electrical

Specification	DIV -20W I2YZD	DIV -40W I2YZD	DIV -60W I2YZD
Rated Power	20W	40W	60W
Input Voltage	100-277VAC/200-480VAC		
Input Frequency	50/60Hz		
Power Factor	> 0.95		
Emergency Time*	1.5 hours		

*Emergency function optional.

• Optical

Specification	DIV -20W I2YZD	DIV -40W I2YZD	DIV -60W I2YZD
Lumen Output	2800lm	5600lm	8400lm
Lumens Per Watt	140lm/W		
CCT	2700K-7000K		
CRI	> 70		
Beam Angle	120°		
Dimming	0-10V dimming		

• Environmental

Specification	DIV -20W I2YZD	DIV -40W I2YZD	DIV -60W I2YZD
Ambient Temperature	-40°C to +60°C (-40°F to +140°F)		
Temperature Code	T4		

• Mechanical

Specification	DIV -20W I2YZD	DIV -40W I2YZD	DIV -60W I2YZD
Housing Material	Copper-free aluminum		
Diffuser	Tempered glass		
Hardware	Stainless steel		
Protection	IP66/IP67/IK08 (glass cover)/IK10 (with wire guard)		
Mounting	Ceiling, Pole, Wall, Chain, Pendant		
Cable Entries	Regular Model	Top: 3/4 NPT(standard), 1/2 NPT Two sides: 3/4 NPT(standard), 1/2 NPT	
	Side Opening Cover Model	Top: 3/4 NPT(standard), 1/2 NPT Two sides: 3/4 NPT(standard), 1/2 NPT	

Technical Parameter

• Electrical

Specification	DIV -40W I4YZD	DIV -60W I4YZD	DIV -80W I4YZD	DIV -100W I4YZD	DIV -120W I4YZD
Rated Power	40W	60W	80W	100W	120W
Input Voltage	100-277VAC/200-480VAC				
Input Frequency	50/60Hz				
Power Factor	> 0.95				
Emergency Time*	1.5 hours				

*Emergency function optional.

• Optical

Specification	DIV -40W I4YZD	DIV -60W I4YZD	DIV -80W I4YZD	DIV -100W I4YZD	DIV -120W I4YZD
Lumen Output	5600lm	8400lm	11200lm	14000lm	16800lm
Lumens Per Watt	140lm/W				
CCT	2700K-7000K				
CRI	> 70				
Beam Angle	120°				
Dimming	0-10V dimming				

• Environmental

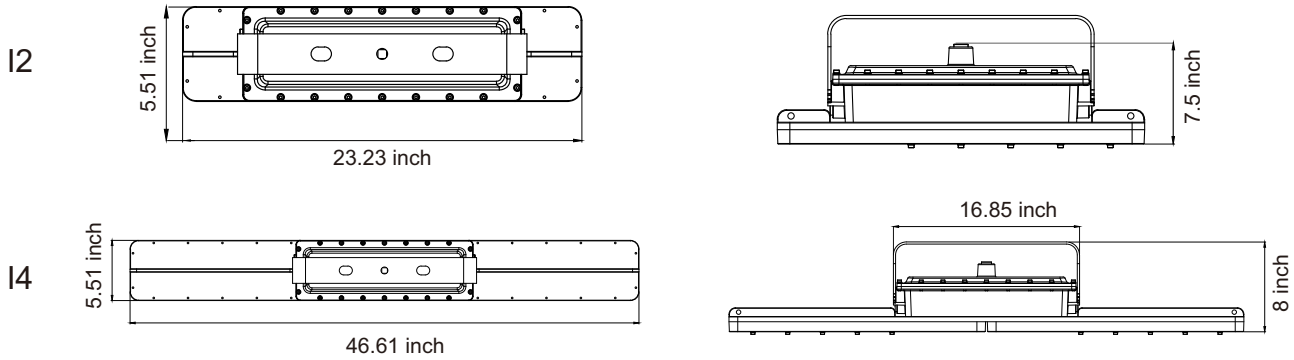
Specification	DIV -40W I4YZD	DIV -60W I4YZD	DIV -80W I4YZD	DIV -100W I4YZD	DIV -120W I4YZD
Ambient Operating Temperature	-40°C to +60°C (-40°F to +140°F)			-40°C to +40°C (-40°F to +104°F)	
Temperature Code	T4			T4	

• Mechanical

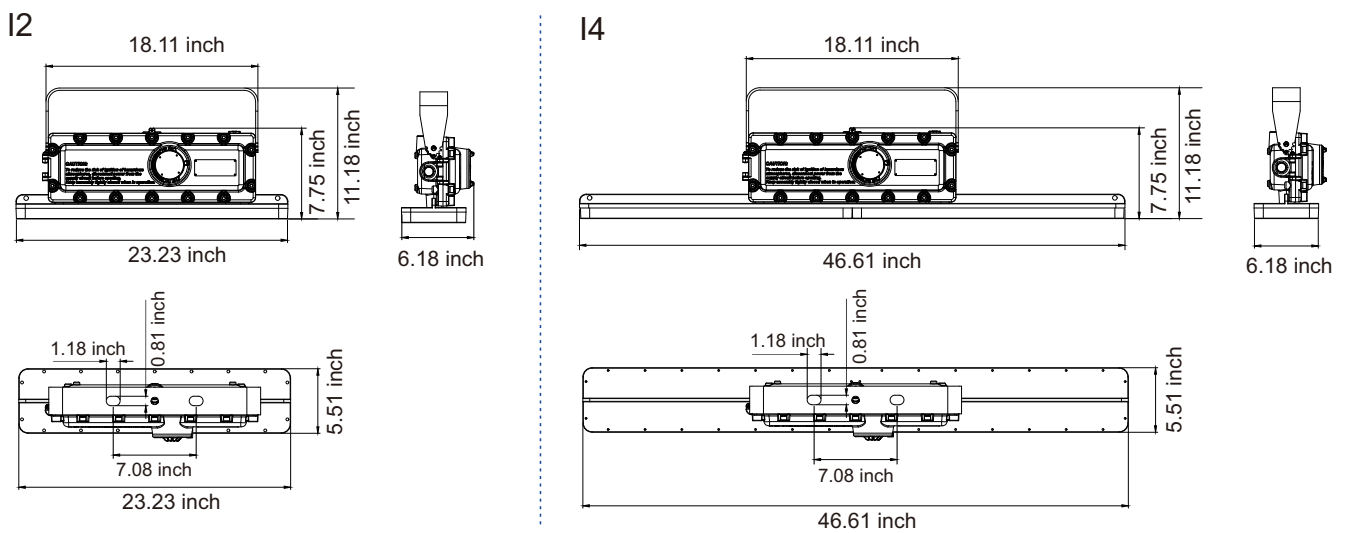
Specification	DIV -40W I4YZD	DIV -60W I4YZD	DIV -80W I4YZD	DIV -100W I4YZD	DIV -120W I4YZD
Housing Material	Copper-free aluminum				
Diffuser	Tempered glass				
Hardware	Stainless steel				
Protection	IP66/IP67/IK08 (glass cover)/IK10 (with wire guard)				
Mounting	Ceiling, Pole, Wall, Chain, Pendant				
Cable Entries	Regular Model	Top: 3/4 NPT(standard), 1/2 NPT Two sides: 3/4 NPT(standard), 1/2 NPT			
	Side Opening Cover Model	Top: 3/4 NPT(standard), 1/2 NPT Two sides: 3/4 NPT(standard), 1/2 NPT			

Product Dimensions

Regular Model



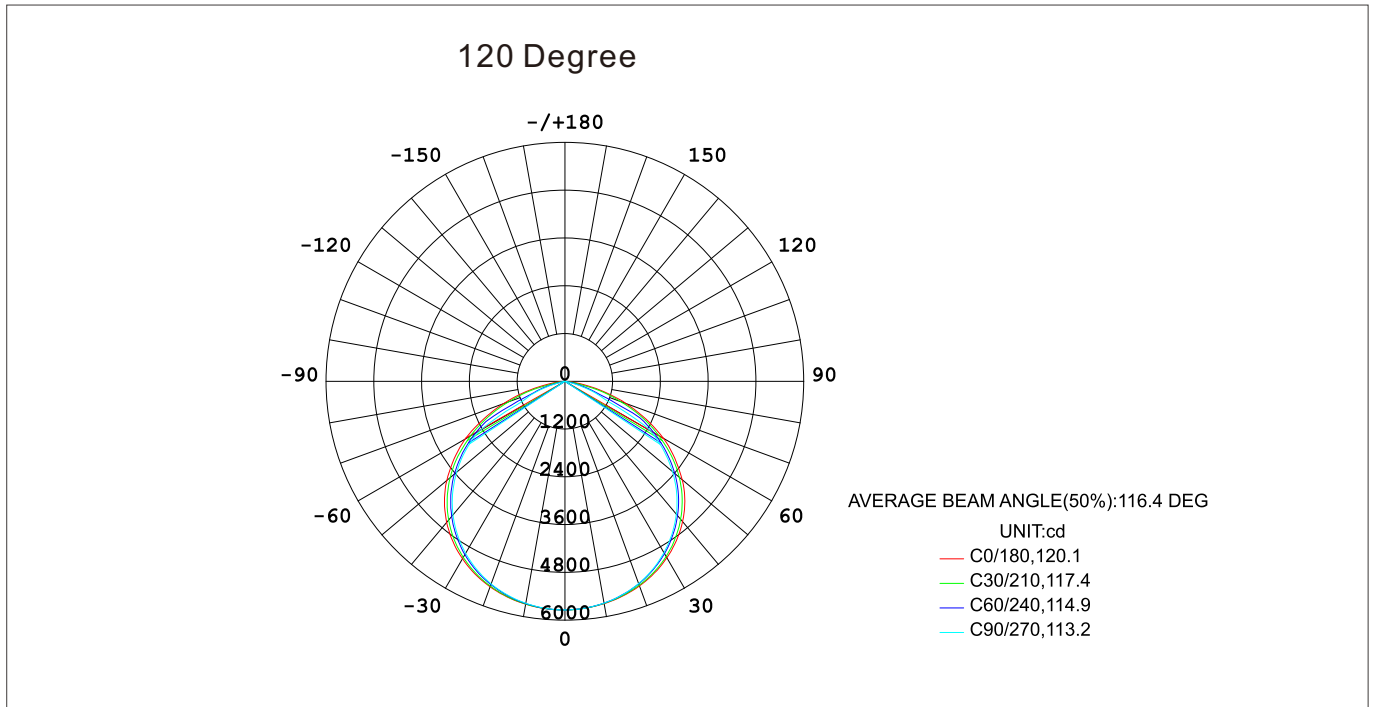
Side Opening Cover Model



• Packing Information

Model	Net Weight	Gross Weight	Quantity/Carton	Package Dimensions (LxWxH)
I2 (Regular)	26.46 lb	28.66 lb	1 pc	30.31x13.39x10.43 inch
I4 (Regular)	40.79 lb	47.40 lb	1 pc	53.94x14.17x11.42inch
I2 (Side Opening Cover Model)	33.07 lb	35.27 lb	1 pc	30.31x13.39x10.43 inch
I4 (Side Opening Cover Model)	40.79 lb	47.40 lb	1 pc	53.94x14.17x11.42inch

Photometric



Ordering Guide

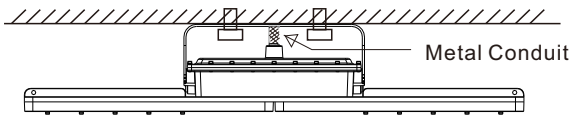
DIV
yyyW
X
Y
Z
D
-1

1
2
3
4
5
6
7

1. Product Categories	2. Wattage	3. Shell Shape Series	4. Dimming or Not
Explosion Proof Light	I2: 20/40/60W I4: 40/60/80/100/120W	“X” Can be: I2 (2=2FT) I4 (4=4FT)	“Y” Can be: D: dimmable N: non-dimmable
5. Color Temperature	6. Beam Angle	7. Optional	
“Z” can be 27 to 70 denotes 2700K to 7000K, and each 100K gradually increase, max 7000K	“D” can be: D120: 120°	“-1” NA (optional)	

Mounting Methods and Accessories

• Option 1: Ceiling Mounting



• Accessories

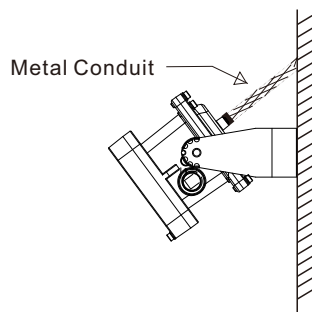


Bracket



**Metal Conduit
DIV -NG**

• Option 2: Wall Mounting



• Accessories

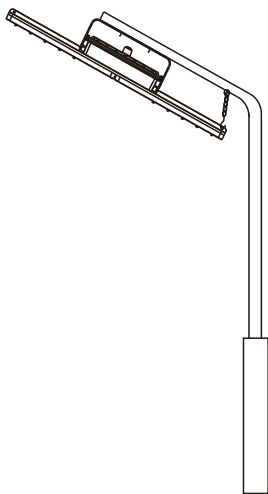


Bracket



**Metal Conduit
DIV -NG**

• Option 3: Pole Mounting



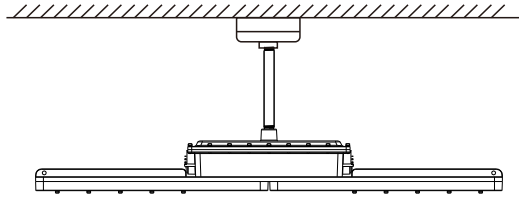
• Accessory



Bracket

Mounting Methods and Accessories

• Option 4: Pendant Mounting



• Accessories

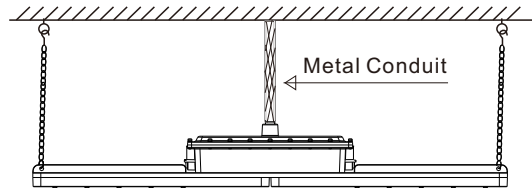


Junction Box
DIV -HD51-KB1



Pole
Ex -Straight Pipe

• Option 5: Chain Mounting



• Accessories



Pendant Chain Ex -
Straight Chain



Metal Conduit DIV -
NG

R Series

Explosion Proof Linear Light



Product Description:

The DIV-R series linear vapor tight is designed for use in hazardous locations that feature the presence of flammable gases, vapors, or liquids during normal facility operations. The combination of the style and design of new LED technology with the ruggedness and durability of a hazardous location fixture makes it ideal for retrofit of existing HPS/MH and offers higher efficacy for energy savings, lower maintenance costs and quicker paybacks. The optional battery backup system provides a minimum of 90 minutes operation after AC power is lost during an emergency. It operates with 120 or 277V dual voltage.



Certifications:

- UL844– Hazardous Locations
Class I, Division 2, Groups A, B, C, D
Class II, Division 1, Groups E, F, G
Class II, Division 2, Groups F, G
Class III
- UL 1598 - Luminaires
- UL 1598A
- UL 8750 - Light Emitting Diode (LED) Equipment for use in Lighting Product
- UL924 - Emergency Lighting Equipment

- DLC 5.1
- ABS
- IP66/IP67
IK10
1200 hours Salt spray
- ATEX Marking:
 II 2GD
Ex db eb mb IIC T6/T5 Gb
Ex tb IIIC T80°C/T95°C Db IP66
- IECEx Marking:
Ex db eb mb IIC T6/T5 Gb
Ex tb IIIC T80°C/T95°C Db IP66

Features:

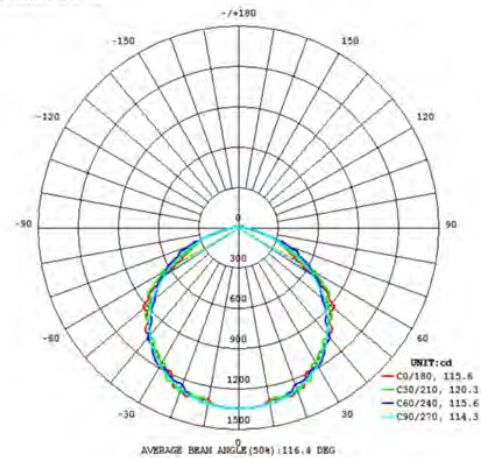
- UV stabilized, impact-resistant fiberglass reinforced polycarbonate lens.
- Available in two and four foot lengths.
- Ceiling, rope and pole mount
- Suitable for dead end, through feed* or single-ended "T" wiring
- Maximum total wattage for interconnection is 150 W
- Operating ambient: -40°C to +50°C
- T-rating of T5 / T6
- Replaceable LED light strip
- Optional emergency battery back-up (self-contained min. 90 minute with Push-to-test button and LED charging indicators)

Applications:

- Locations requiring continuous and consistent light levels.
- Marine applications, such as engine rooms, decks and walkways.
- Pulp and paper production facilities.
- Water/wastewater treatment facilities.
- Petrochemical facilities.

Photometric:

Light Distribution Curve



Ordering Information:

DIV	-30W	R2	N	50	D120	C	X	XX
1	2	3	4	5	6	7	8	9

1. Model Series	2. Wattage	3. House Length	4. For All Luminaires	5. Color Temp.
Explosion-proof Light	-20: 20W -30: 30W -40: 40W -50: 50W -60: 60W	R2: 2 feet R4: 4 feet	N: 0-10V Dimming AC120-277V 50/60Hz	27: 2700K 40: 4000K 50: 5000K

6. Beam Angle	7. Mounting Means	8. Lens Type*	9. Emergency Back Up*
D120: 120°	C: Ceiling mount R: Rope mount P: Pole mount	Blank=Transparent PC F = Diffuse PC	Blank=w/o EM EM = w/ EM

*: Suffix not within nomenclature as per UL Certification, for marketing purpose only

Warranty:

- 3-Year Standard Warranty for Battery Backup and 5-Year Standard Warranty for Fixture
- 50,000-hour LED lifespan based on IES LM-80 results and TM-21 calculations

R Series Explosion Proof Linear Light

Technical Parameter:

Note: All values are typical (tolerance +/- 10%)

Electrical

Specification		DIV -20WR2	DIV -30WR2	DIV-40WR2	DIV -50WR4	DIV-60WR4
Rated Power		20W	30W	40W	50W	60W
Input Voltage		AC120-277V				
Input Frequency		50/60Hz				
Input Current		0.17/0.08A	0.26/0.12A	0.34/0.15A	0.42/0.19A	0.5/0.22A
THD	AC120V	1.29%	1.56%	1.38%	1.47%	1.89%
	AC277V	4.01%	4.37%	3.92%	3.24%	5.31%
Power Factor		> 0.9				
Driver Efficiency		≥ 90%				
Dimming		Driver includes dimming control wiring for 0-10V dimming systems Requires separate 0-10V DC dimming circuit				
Surge Protection		4kV				

Optical

Specification	DIV - 20WR2	DIV-30WR2	DIV-40WR2	DIV- 50WR4	DIV-60WR4
Lumen Output	2730lm	4012lm	5067lm	7024lm	8381lm
Lumens Per Watt*	136.5lm/W				
Beam Angle	120°				
Correlated Color Temperature(CCT)	2700K/4000K/5000K				
Color Rendering Index (CRI)	Ra=83	Ra=83	Ra=84	Ra=84	Ra=85

R Series Explosion Proof Linear Light

Technical Parameter:

Note: All values are typical (tolerance +/- 10%)

Mechanical

Specification	DIV -20WR2	DIV -30WR2	DIV -40WR2	DIV -50WR4	DIV -60WR4
Housing Material	SUS 304 stainless steel				
Lens Material	Transparent fiberglass-reinforced polycarbonate (standard) Diffuse fiberglass-reinforced polycarbonate (optional)				
Gasket	Silicone Rubber				
Latches/Clips	Aluminum alloy				
Color	Milky White				
Finish	Epoxy powder coating				
Protection	IP66/IP67/IK10/3G Vibration/1200hrs salt spray				
Mounting	Ceiling, rope, and pole mount				
Cable entries	Standard: 4 x NPT3/4 (Side x1 open, Side x3 with stopping plugs) W/EM: 3 x NPT3/4 (Side x1 open, Side x2 with stopping plugs) x self testing button				

Temperature performance data:

Luminaire Model	Rated Ambient Temperature Range	Operating Temperature (T Code)
Ex-20WR4	-40°C to 50°C	80 C (T6)
Ex-30WR2	-40°C to 50°C	80 C (T6)
Ex-40WR2	-40°C to 50°C	100 C (T5)
Ex-50WR4	-40°C to 50°C	100 C (T5)
Ex-60WR4	-40°C to 50°C	100 C (T5)

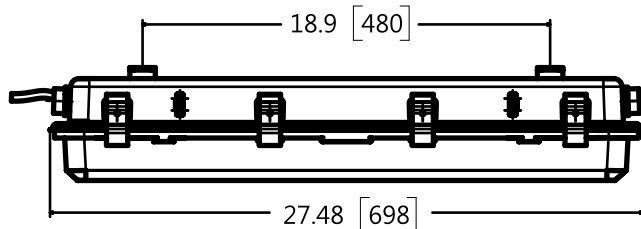
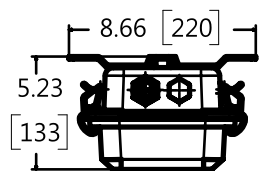
Packing Information:

Model	Net weight lbs. (kg.)	Gross weight lbs. (kg.)	Carton Dimensions (L*W*H) inch.(cm.)
2 foot	11.6(5.27)	14.44(6.55)	32.28x10.63x7.87(82x27x20)
2 foot w/ EM	14.33(6.5)	16.38(7.43)	32.28x10.63x7.87(82x27x20)
4 foot	19.67(8.92)	24.69(11.2)	55.91x10.63x7.87(142x27x20)
4 foot w/ EM	22.49(10.2)	25.44(11.54)	55.91x10.63x7.87(142x27x20))

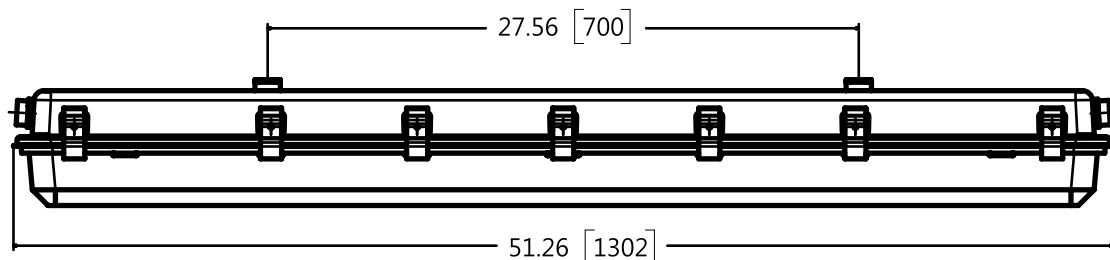
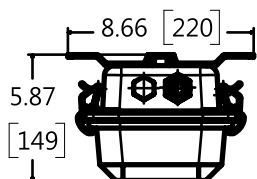
R Series Explosion Proof Linear Light

Dimension:

R2



R4



Mounting:

*Mounting screws not provided
** Ordered separately, field installed

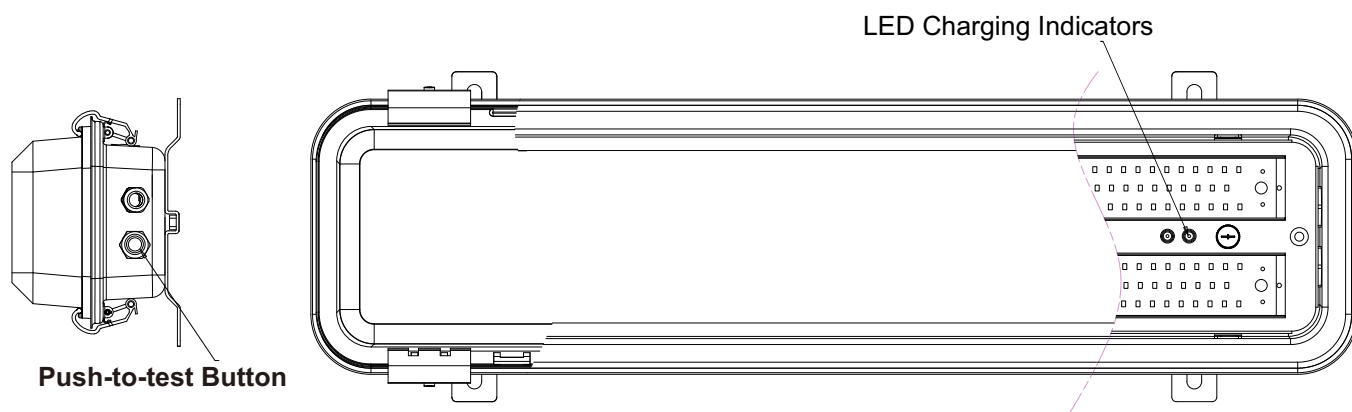
Options	Description	Kit(inch[mm])	Installed
Ceiling Mount	Provided with two stainless steel mounting kits welded at the back of Housing	Standard Mounting Kit (Included) 	
Rope Mount	Provided with two stainless steel wire. Measured 1 mm diameter.		
Pole Mount	(1) 155° Pipe (2) Pipe Clamp bracket	 155°Pipe X1 Pipe Clamp bracket X2	

EM DRIVER SPECIFICATION FEATURES - EM-15W-HL:

CAUTION: Sealed unit. Battery not replaceable. Replace entire unit when necessary.

Model	Input Rating				Emergency Output Rating	
	Vac	Hz	Max.mA	Max.W	Vdc	Constant Wattage, W
EM-15W-HL	120-277	50/60	100	7	25-55	15

Model	Charge Time, Hours	Emergency Run Time, Min	Response Time, mS	Rated Ambient Range, °C	Battery Life Expectancy
EM-15W-HL	24	90	< 550	0~60	5 Years



Indicator Information

Operate Mode		LED Features	YELLOW LED (State LED)	Green LED (Indicate LED)
Charge Mode	Charging			Flash 0.2HZ (5S/time)
	Fully charged			ON
Discharge Mode	Discharge			Flash 1HZ (1S/time)
	Discharge cut-off			OFF
Battery disconnect			Flash 2HZ (0.5S/time)	
LED Lamp disconnect			Flash 2HZ (0.5S/time)	
Battery under voltage			Flash 1HZ (1S/time)	
Battery over voltage			Flash 1HZ (1S/time)	
Function test beginning (once a month)				Flash 2HZ (0.5S/time), flash 5 times
Under function test				Flash 1HZ (1S/time)
Function test failed			Flash 0.5HZ (2S/time)	
Discharge duration test beginning (once a year)				Flash 2HZ (0.5S/time), flash 7 times
Under discharge duration test				Flash 1HZ (1S/time)
Discharge duration test failed			Flash 0.5HZ (2S/time)	

Durable Lighting Made for Industrial Safety



Hazardous Location LED Luminaire FLF Series

Specsheet-2023-07 EN





Product Description

The FLF Series LED fixture is the ideal choice for marine and hazardous applications requiring a linear design. They can be used in locations where moisture, dirt, dust, corrosion and vibration may be present, or areas where wind, water, snow or high ambient can be expected.

Features

- Suitable for use in Zone 1
- High luminous efficacy - Up to 120-140 lumens per watt
- 0-10V dimming
- Available in 5 lengths
- Beam angles are optional from 40°, 60°, 90°, and 120°
- Smooth housing for easy cleaning
- Emergency model optional - 1.5 hours emergency time
- Robust design rated with IP66/IK10
- Constructed of non-sparking materials for protection in flammable work sites

Compliance

UL 844 Hazardous Locations
Class I Division 2, Group A, B, C, D
Class I, Zone 2, Group IIC
UL 924 Emergency Lighting
CSA C22.2#141-15, Ed.5
CSA C22.2#137:2018 Ed.2
ABS
ETL

ATEX Standard
II 2 G Ex eb mb IIC T6...T4 Gb
II 2 D Ex tb IIIC T80°C...T120°C Db

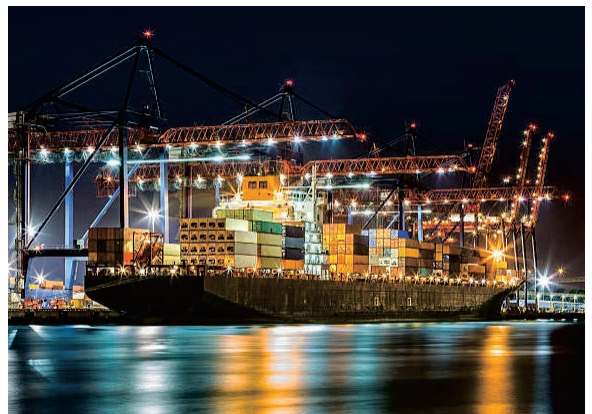
IECEX Standard
Ex eb mb IIC T6...T4 Gcb
Ex tb IIIC T80°C...T120°C Db

IP66
IK10



Application

- Power Plants
- Heavy Industrials Storage Facility
- Paper mills
- Wastewater Treatment Plants
- Loading Docks Platforms
- Offshore Environments
- Chemical Processing Facility
- Petrochemical Processing Facility
- Metallurgical Industry
- Coal Mine
- Food and Alcohol industry



Warranty

5-Year Standard Warranty
LED lumen Maintenance: L70> 150,000 Operation Hours@55°C

Technical Parameter

• Electrical

Specification	DIV -yyyW FLF1YZD*	DIV -yyyW FLF2YZD*	DIV -yyyW FLF3YZD*
Rated Power	20W/30W	20W/30W/40W/50W	20W/30W/40W/50W/60W/70W
Input Voltage	AC100-277V	AC100-277V	AC100-277V
Input Frequency	50/60Hz	50/60Hz	50/60Hz
Emergency Time (Optional)	1.5 hours	1.5 hours	1.5 hours

• Optical

Specification	DIV -yyyW FLF1YZD*	DIV -yyyW FLF2YZD*	DIV -yyyW FLF3YZD*
Lumen Output	2,400lm-4,200lm	2,400lm-7,000lm	2,400lm-9,800lm
Lumens Per Watt	120-140lm/W	120-140lm/W	120-140lm/W
Beam Angle	40°/60°/90°/120°	40°/60°/90°/120°	40°/60°/90°/120°
CCT	2700K-6500K	2700K-6500K	2700K-6500K
CRI	> 70	> 70	> 70
Dimming	0-10V dimming	0-10V dimming	0-10V dimming

• Environmental

Specification	DIV -yyyW FLF1YZD*	DIV -yyyW FLF2YZD*	DIV -yyyW FLF3YZD*
Ambient Operating Temperature	T5: -40°C to +40°C (-40°F to +104°F) T4: -40°C to +55°C (-40°F to +131°F)	T5: -40°C to +40°C (-40°F to +104°F) T4: -40°C to +55°C (-40°F to +131°F)	T5: -40°C to +40°C (-40°F to +104°F) T4: -40°C to +55°C (-40°F to +131°F)

• Mechanical

Specification	DIV -yyyW FLF1YZD*	DIV -yyyW FLF2YZD*	DIV -yyyW FLF3YZD*
Protection	IP66/IK10	IP66/IK10	IP66/IK10
Mounting	Pole, Hook, Wall	Pole, Hook, Wall	Pole, Hook, Wall

Technical Parameter

• Electrical

Specification	DIV -yyyW FLF4YZD*	DIV -yyyW FLF5YZD*
Rated Power	20W/30W/40W/50W/60W/70W/80W	20W/30W/40W/50W/60W/70W/80W/90W/100W
Input Voltage	AC100-277V	AC100-277V
Input Frequency	50/60Hz	50/60Hz
Emergency Time (Optional)	1.5 hours	1.5 hours

• Optical

Specification	DIV -yyyW FLF4YZD*	DIV -yyyW FLF5YZD*
Lumen Output	2,400lm-11,200lm	2,400lm-14,000lm
Lumens Per Watt	120-140lm/W	120-140lm/W
Beam Angle	40°/60°/90°/120°	40°/60°/90°/120°
CCT	2700K-6500K	2700K-6500K
CRI	> 70	> 70
Dimming	0-10V dimming	0-10V dimming

• Environmental

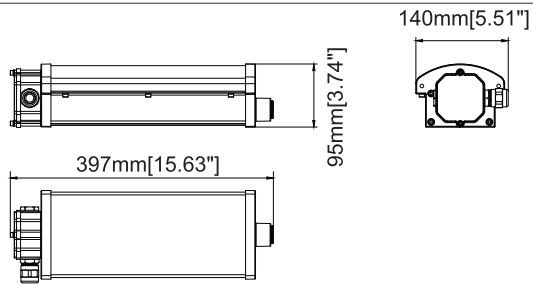
Specification	DIV -yyyW FLF4YZD*	DIV -yyyW FLF5YZD*
Ambient Operating Temperature	T5: -40°C to +40°C (-40°F to +104°F) T4: -40°C to +55°C (-40°F to +131°F)	T5: -40°C to +40°C (-40°F to +104°F) T4: -40°C to +55°C (-40°F to +131°F)

• Mechanical

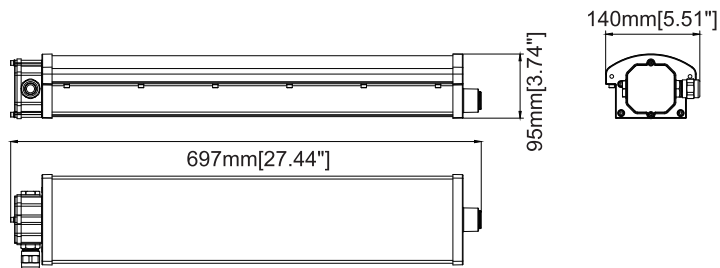
Specification	DIV -yyyW FLF4YZD*	DIV -yyyW FLF5YZD*
Protection	IP66/IK10	IP66/IK10
Mounting	Pole, Hook, Wall	Pole, Hook, Wall

Product Dimensions

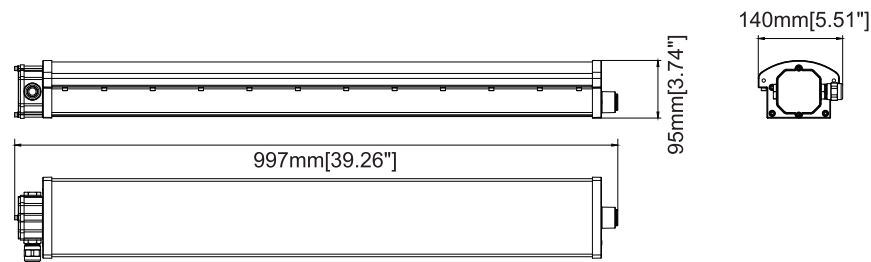
FLF1



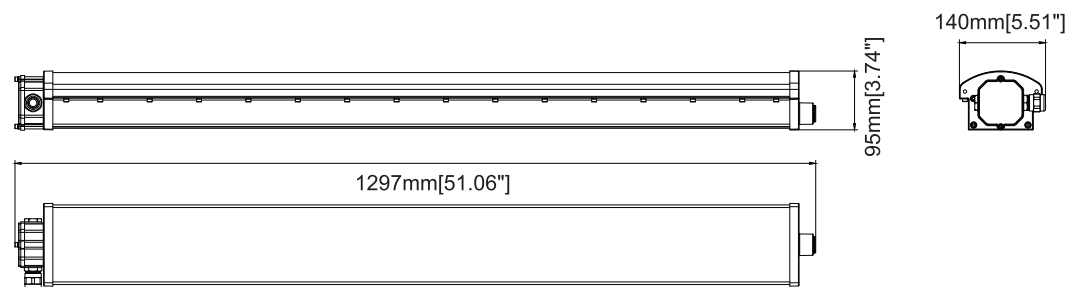
FLF2



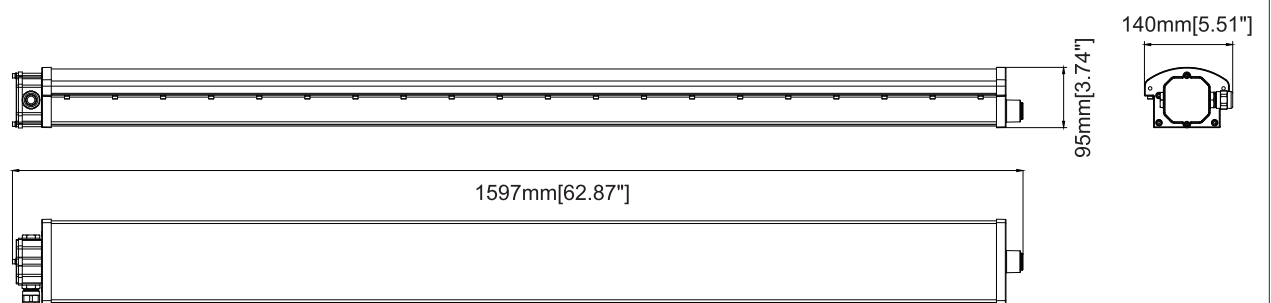
FLF3



FLF4



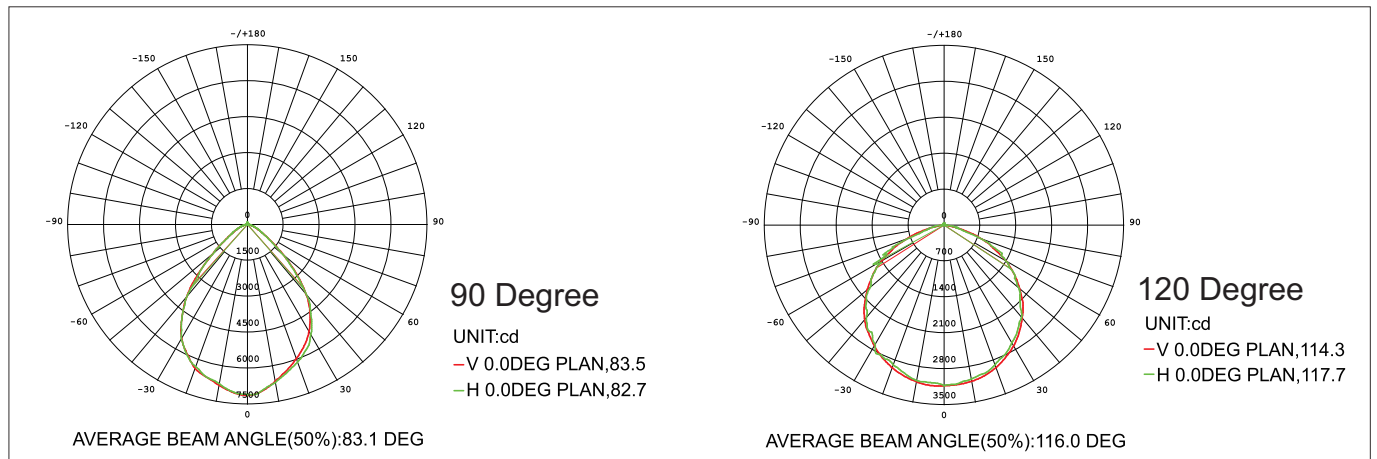
FLF5



● Packing Information

Model	Net Weight (Product)	Product Dimensions (LxWxH)	Quantity/ Carton	Gross Weight	Package Dimensions (LxWxH)
DIV -xxxW-FLF2 AZDA	4.1kg/9.04lb	697x140x95mm/ 27.44x5.51x3.74inch	1 pc	5.8kg/12.78lb	710x210x150mm/ 27.95x8.26x5.91inch
DIV -xxxW-FLF4 AZDA	7.23kg/15.94lb	1297x140x95mm/ 51.06x5.51x3.74inch	1 pc	8.03kg/17.70lb	1330x187x151mm/ 52.36x7.36x5.94inch
DIV -xxxW-FLF5 AZDA	-	1597x140x95mm/ 62.87x5.51x3.74inch	1 pc	-	1610x210x150mm/ 63.38x8.27x5.91inch

Photometric



Ordering Guide



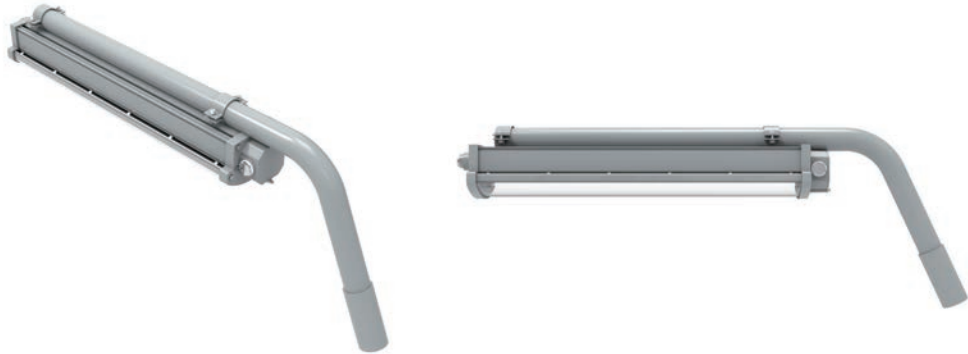
1. Product Categories	2. Wattage	3. Shell Shape Series	4. Dimming or Not
Explosion Proof Light	FLF1: 20/30W FLF2: 20/30/40/50W FLF3: 20/30/40/50/60/70W FLF4: 20/30/40/50/60/70/80W FLF5: 20/30/40/50/60/70/80/90/100W	Can be: FLF1/FLF2/FLF3/ FLF4/FLF5	“Y” Can be: D: dimmable N: non-dimmable

5. Color Temperature	6. Beam Angle	7. Emergency Function Optional
“Z” can be 27 to 65 denotes 2700K to 6500K, and each 100K gradually increase, max 6500K	“D” can be: D40: 40° D60: 60° D90: 90° D120: 120°	-EM: with emergency function (optional) Blank: without emergency function (standard)

*: Suffix not within nomenclature as per Certification, for marketing purpose only.

Mounting Methods

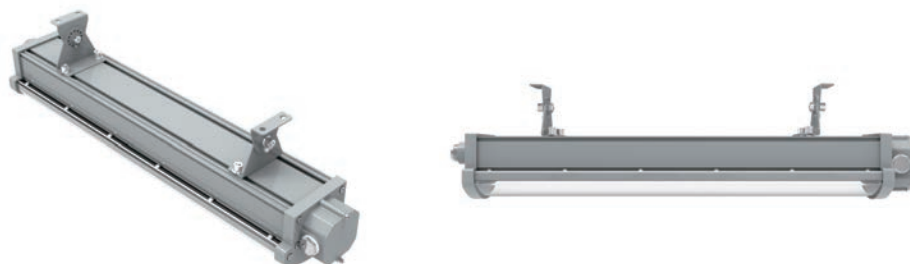
- Pole Mounting



- Hook Mounting



- Wall Mounting



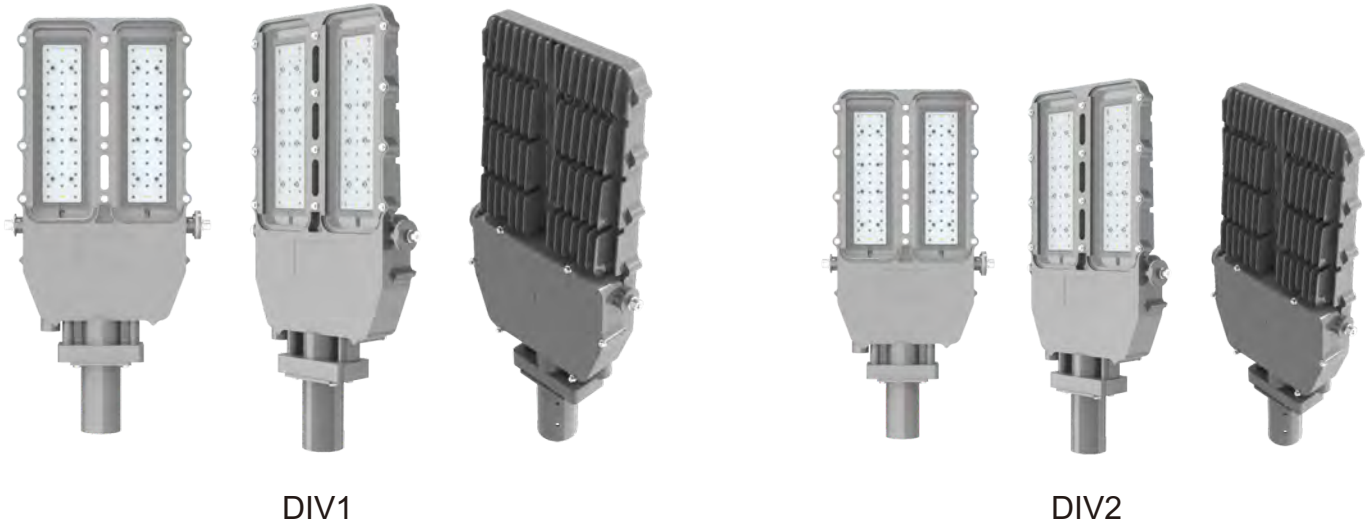
Durable Lighting Made for Industrial Safety



Hazardous Location LED Luminaire DIV1/DIV2 Series

Specsheet-2023-07 EN





Product Description

The DIV1/DIV2 Series LED fixture is the ideal choice for marine and hazardous applications. They can be used in locations where moisture, dirt, dust, corrosion and vibration may be present, or areas where wind, water, snow or high ambient can be expected.

Features

- Suitable for Zone 1&2 (Gas), Zone 21&22 (Dust)
- High luminous efficacy - Up to 120-140 lumens per watt
- 0-10V dimming
- Waterproof and dust-proof, without internal cleaning and maintenance
- Simple structure for easy and quick installation
- Stainless steel fasteners, ADC12 aluminum housing, good corrosion resistance
- Tempered glass, high light transmittance and impact resistance

Compliance

ATEX Standard (Zone 1):

⊕ II 2 G Ex eb mb IIC T6...T4 Gb

⊕ II 2 D Ex tb IIIC T95°C...T125°C Db IP66

ATEX Standard (Zone 2):

⊕ II 3G Ex ec mb IIC T6...T4 Gc

⊕ II 2D Ex tb IIIC T80°C...T125°C Db

IECEX Standard (Zone 1):

Ex eb mb IIC T6...T4 Gb

Ex tb IIIC T95°C...T125°C Db IP66

IECEX Standard (Zone 2):

Ex ec mb IIC T6...T4 Gc

Ex tb IIIC T80°C...T125°C Db

Class I Zone 2 Group IIC

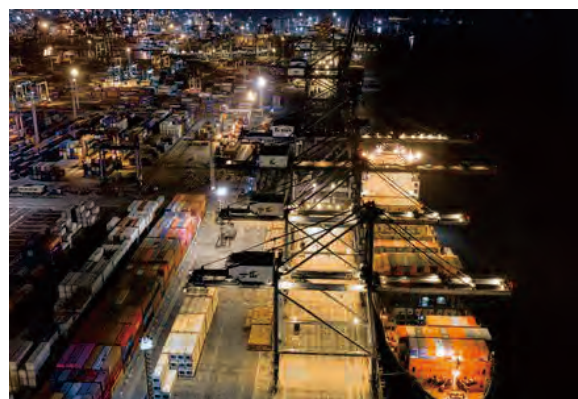
Class II Zone 21 Group IIIC

IP66/IP67

IK06/07 (without wire guard)

IK09 (with wire guard)

1000 hours salt spray



Application

- Power Plants
- Heavy Industrials Storage Facility
- Paper mills
- Wastewater Treatment Plants
- Loading Docks Platforms
- Offshore Environments
- Chemical Processing Facility
- Petrochemical Processing Facility
- Metallurgical Industry
- Coal Mine
- Food and Alcohol industry



Warranty

5-Year Standard Warranty

LED lumen Maintenance: L70> 150,000 Operation Hours@55°C

Technical Parameter

• Electrical

Specification	DIV -xxxW DIV1YZD	DIV -xxxW DIV2YZD
Rated Power	Max 200W	Max 150W
Input Voltage	AC120-277V	AC120-277V
Input Frequency	50/60Hz	50/60Hz

• Optical

Specification	DIV -xxxW DIV1YZD	DIV -xxxW DIV2YZD
Lumen Output	Max 28,000lm	Max 21,000lm
Lumens Per Watt	120-140lm/W	120-140lm/W
CCT	2700K-7000K	2700K-7000K
CRI	> 70	≥70
Beam Angle	40°/60°/90°/120°/T3/T5	40°/60°/90°/120°/T3/T5
Dimming	0-10V dimming	0-10V dimming

• Environmental

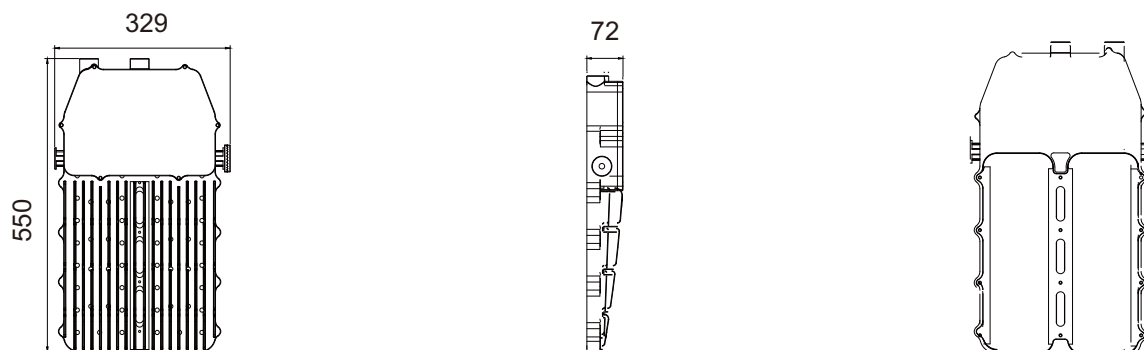
Specification	DIV -xxxW DIV1YZD	DIV -xxxW DIV2YZD
Ambient Operating Temperature	-40°C to +55°C (-40°F to +131°F)	-40°C to +55°C (-40°F to +131°F)

• Mechanical

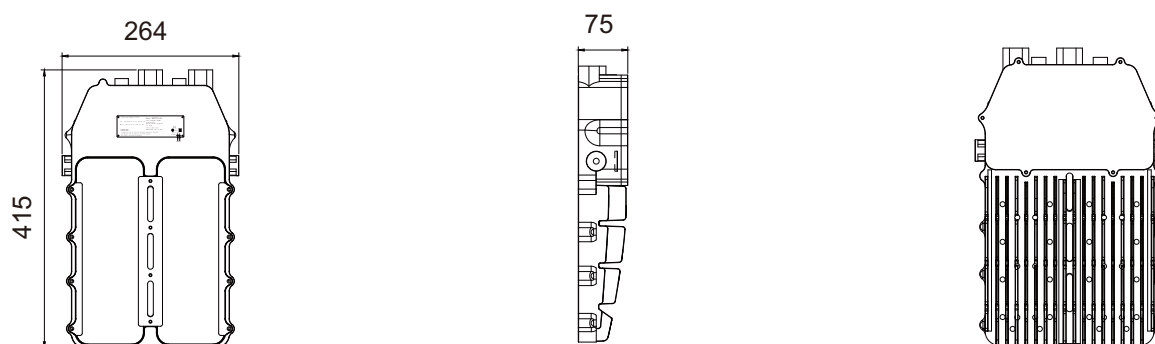
Specification	DIV -xxxW DIV1YZD	DIV -xxxW DIV2YZD
Housing Material	ADC12 aluminum	ADC12 aluminum
Glass	Tempered glass	Tempered glass
Surface	Explosion-proof joint surface	Explosion-proof joint surface
Fasteners	Stainless steel	Stainless steel
Protection	IP66/IP67 IK06/07 (without wire guard)/IK09 (with wire guard)	IP66/IP67 IK06/07 (without wire guard)/IK09 (with wire guard)
Mounting	Pole, Trunnion, Arm, Slip Fitter, Bracket, Stanchion	Pole, Trunnion, Arm, Slip Fitter, Bracket, Stanchion

Product Dimensions

DIV -xxxW DIV1YZD



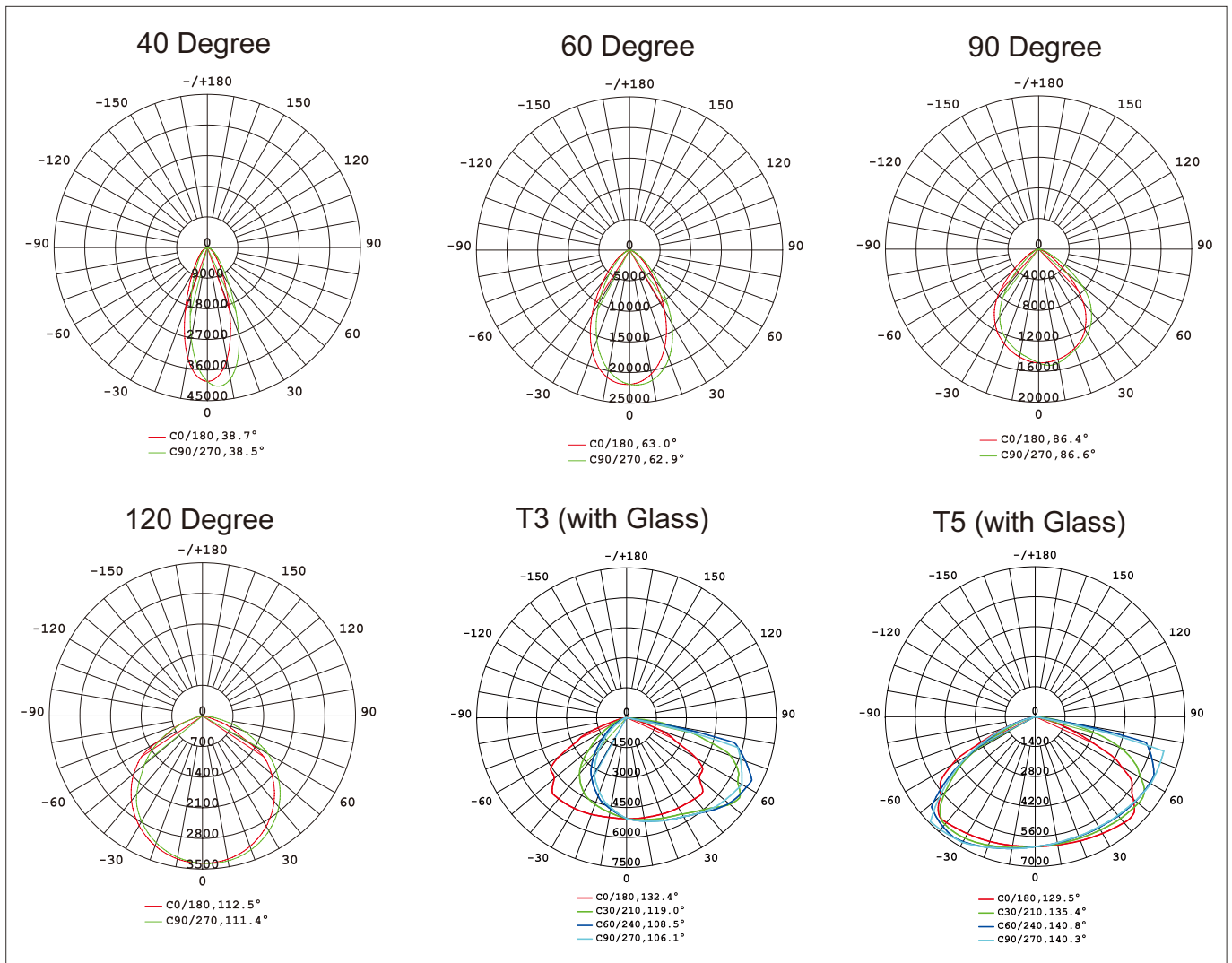
DIV -xxxW DIV2YZD



• Packing Information

Model	Net Weight (Product)	Product Dimensions (LxWxH)	Quantity/ Carton	Gross Weight	Package Dimensions (LxWxH)
DIV -xxxW DIV1YZD	9.5kg/20.94lb	550x329x72mm/ 21.65x12.95x2.83inch	1 pc	10.5kg/23.15lb	855x375x226mm/ 33.66x14.76x8.89inch
DIV -xxxW DIV1YZD	6.5kg/14.33lb	415x264x75mm/ 16.34x10.39x2.95inch	1 pc	7.5kg/16.53lb	560x320x127mm/ 22.05x12.60x5.00inch

Photometric



Ordering Guide

DIV xxxW DIVx Y Z D

DIV: Explosion proof light

xxxW: Wattage. STA1: Max 200W, STA2: Max 150W

DIVx: Product code. Can be STA1, STA2

Y: Dimming option. D=dimmable, N=non-dimmable

Z: CCT. Can be 27 to 70, denotes 2700K to 7000K

D: Beam angle. D40=40°, D60=60°, D90=90°, D120=120°, T3=T3, T5=T5



High Temperature HB Series

LED High Bay Light

Description

Venas High Temperature High Bay Light, is suitable for use in ambient high temperature working areas where operation temperature may reach 158°F(70°C), such as steel plant, aluminum smelter, and other high-temperature, dust, corrosive gas environment.

The HB Series high heat resistant lights combine great optical performance, energy efficiency and outstanding versatility to meet the requirements of lighting applications in high-temperature, dust, corrosive gas environment, delivering a wide range of light outputs.

The enclosure body is made of aluminum with corrosion-resistant coating which protects against overheating damage.



D1



D3



D2



D4

Specifications

Model	DIV-xxxW-D1YZD	DIV-xxxW-D2YZD	DIV-xxxW-D3YZD	DIV-xxxW-D4YZD
Wattage	100-150W	200-300W	300-450W	400-600W
Input Voltage	AC120-277V / AC277-480V, 50/60Hz			
Efficiency	150lm/W			
Beam Angle	120°			
CRI	>70			
Color Temperature (CCT)	2200K-7000K			
Ambient Temperature	-40°C to +70°C (-40°F to +158°F)			
LED Type	SMD 5050/3535/3030			
Enclosure Body	Aluminum			
IP Rating	IP66			
IK Rating	IK09			
Lifespan	50,000 hours			
Warranty	5 years			

Ordering Guide

Example: HB-100W-D1N50D120

DIV	100W	D1	N	50	D120
Product Category	Wattage	Model Number	Dimming Option	Color Temperature (CCT)	Beam Angle
High Bay Light	D1: 100-150W D2: 200-300W D3: 300-450W D4: 400-600W	D1: one module D2: two modules D3: three modules D4: four modules	D = Dimmable N = Non-dimmable	22 = 2200K, 30 = 3000K, 40 = 4000K, 50 = 5000K, 57 = 5700K, ..., 70 = 7000K	D120: 120°

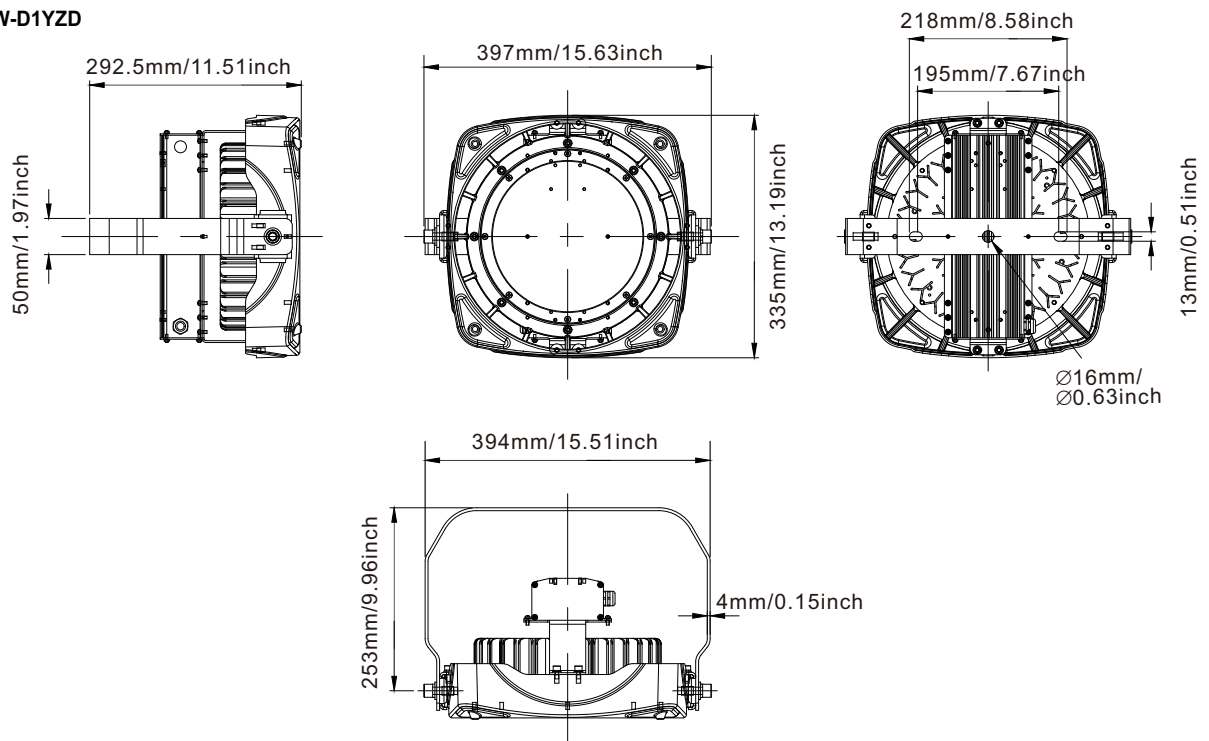
Packing Information

Model	Qty/Carton	Packing Size	Net Weight	Gross Weight
DIV-xxxW-D1YZD	1 pc	510x450x415mm (20.08x17.71x16.34 inch)	8kg (17.63 lbs)	10kg (22.04 lbs)
DIVxxxW-D2YZD	1 pc	780x510x415mm (30.71x20.08x16.34 inch)	16kg (35.27 lbs)	18kg (39.68 lbs)
DIV-xxxW-D3YZD	1 pc	1115x510x415mm (43.90x20.08x16.34 inch)	25kg (55.11 lbs)	27kg (59.52 lbs)
DIVxxxW-D4YZD	1 pc	855x780x415mm (33.66x30.71x16.34 inch)	32.5kg (71.65 lbs)	35kg (77.16 lbs)

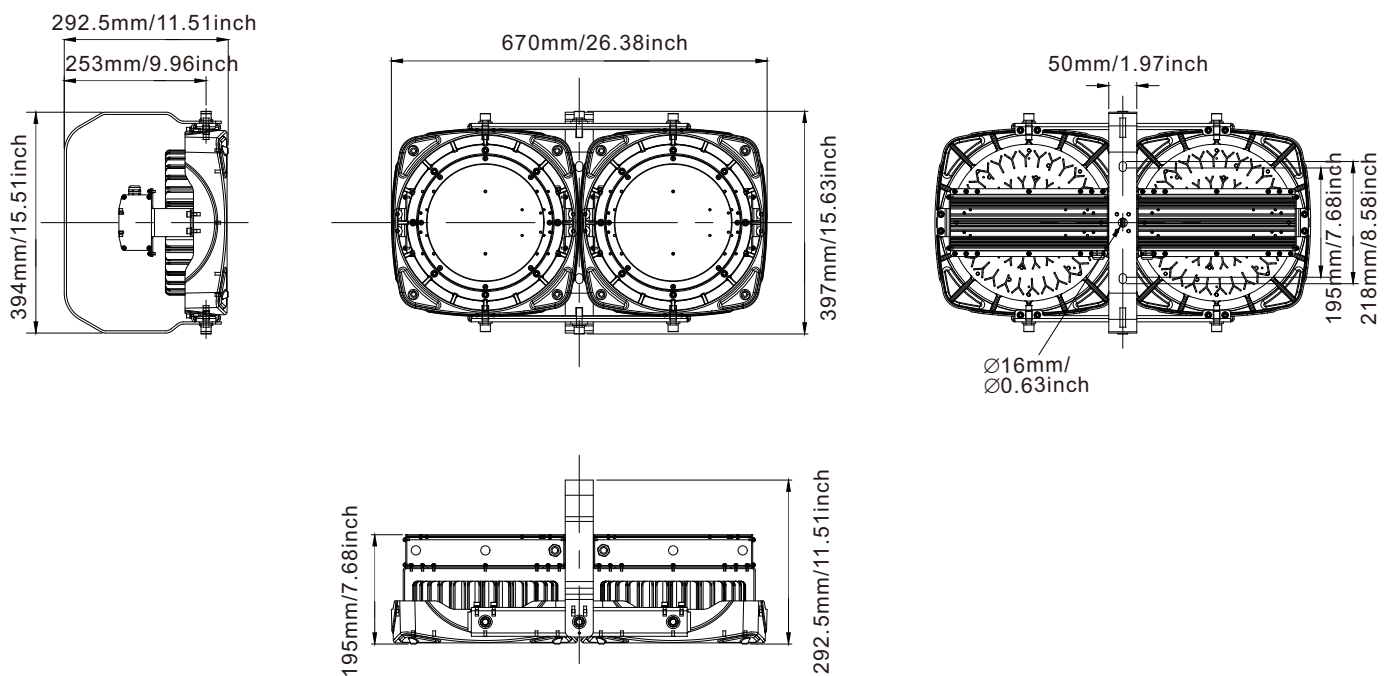
High Temperature HB Series

Dimensions

DIV-xxxW-D1YZD



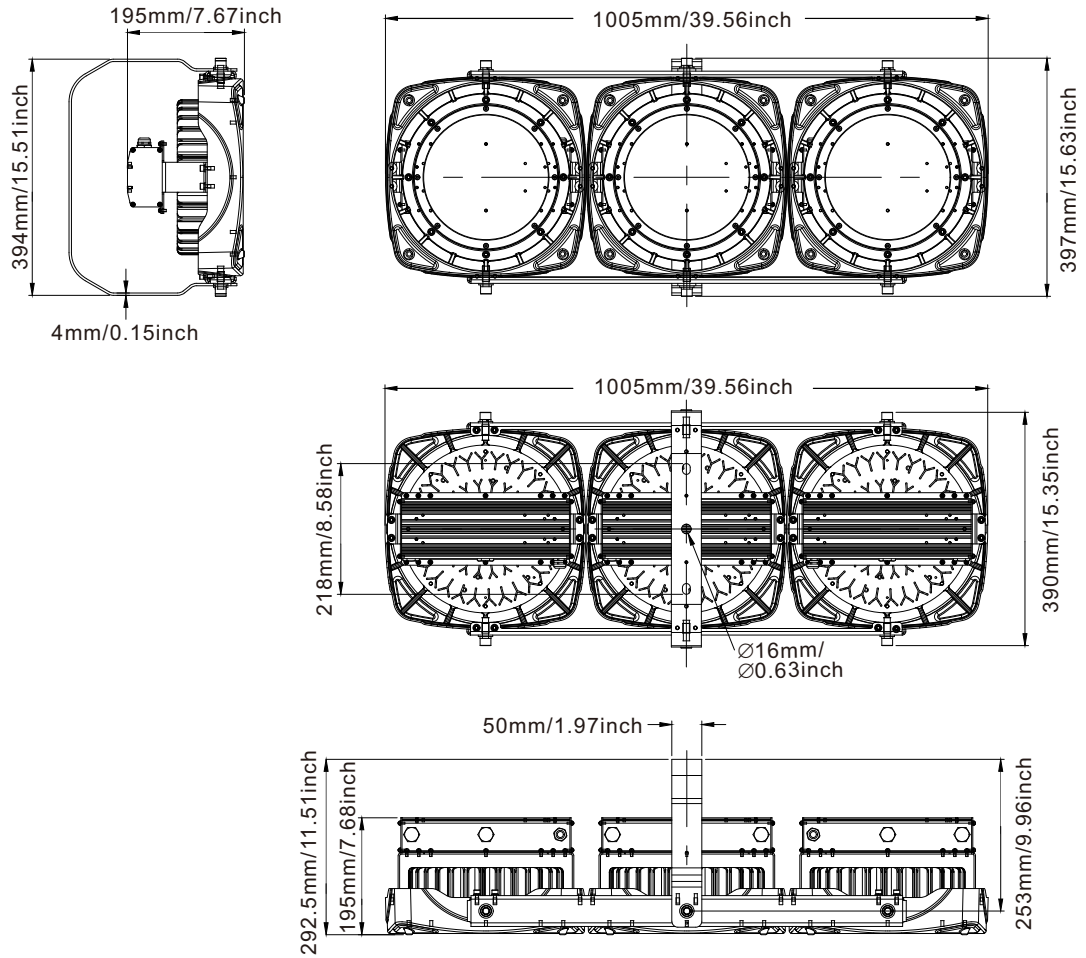
DIV-xxxW-D2YZD



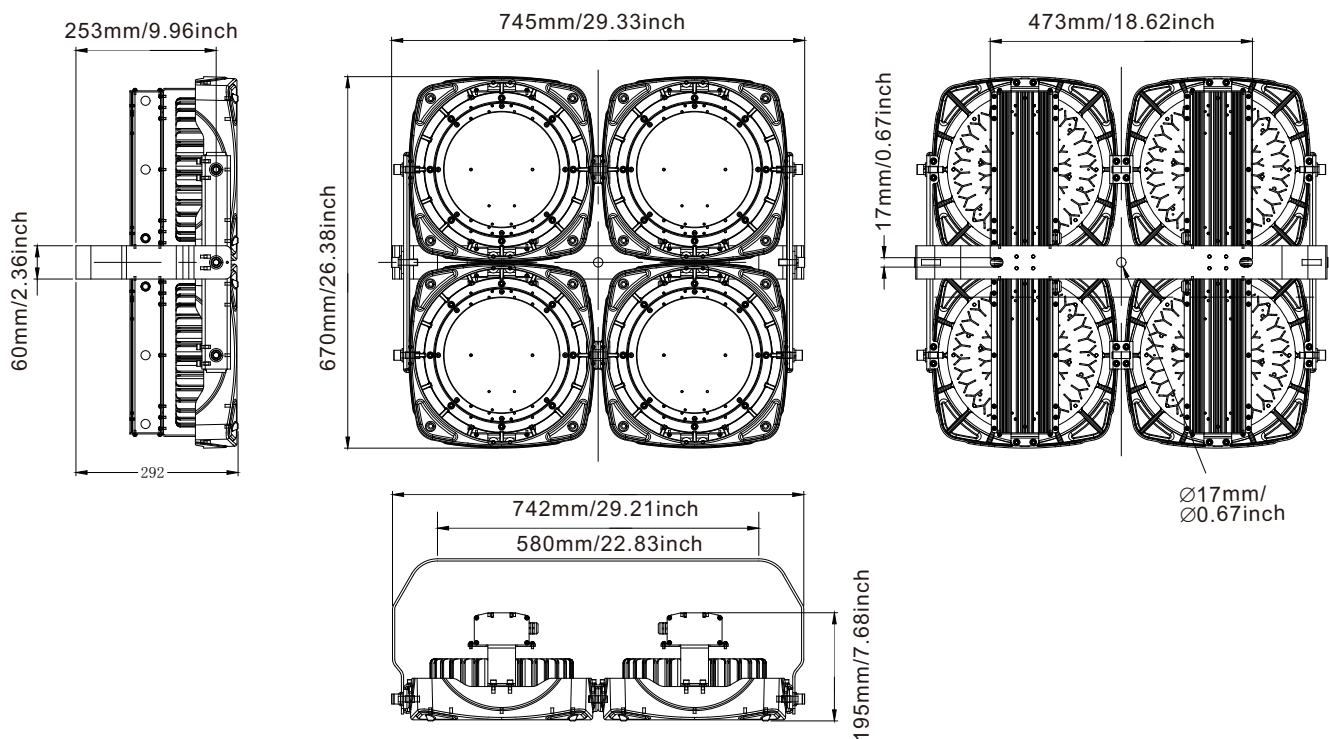
High Temperature HB Series

Dimensions (continued)

DIV-xxxW-D3YZD



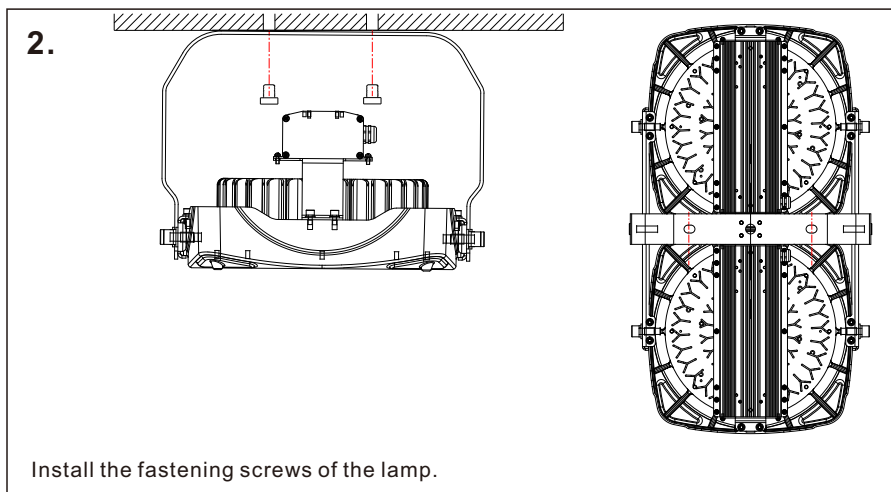
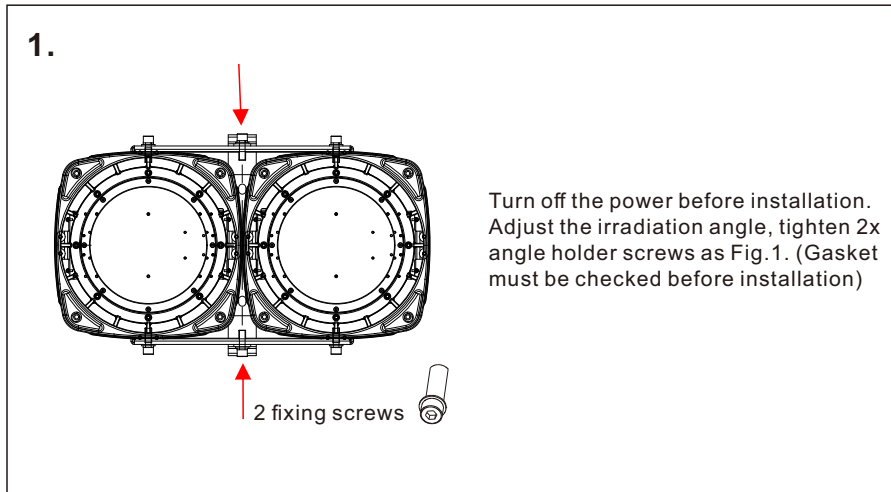
DIV-xxxW-D4YZD



High Temperature HB Series

Mounting Method

Bracket Mounting (default method with mounting kits included in package):

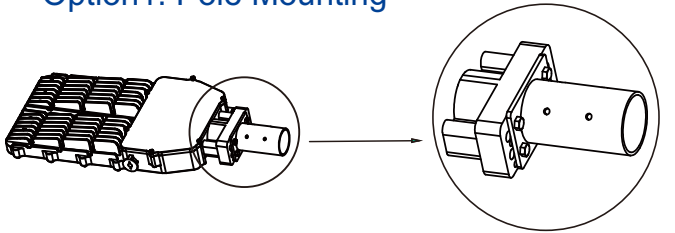


3. Connect the earthing cable to external bonding location.

4. Installation completed.

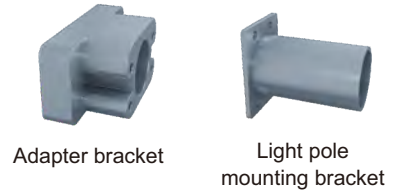
Mounting Methods and Accessories

• Option 1: Pole Mounting



Adapter bracket & Light pole mounting bracket

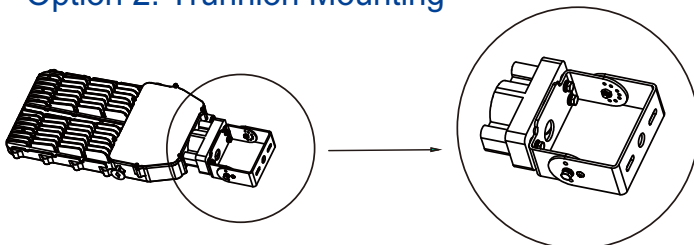
• Accessories



Adapter bracket

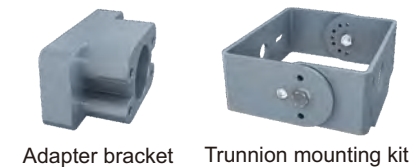
Light pole mounting bracket

• Option 2: Trunnion Mounting



Adapter bracket & Trunnion mounting kit

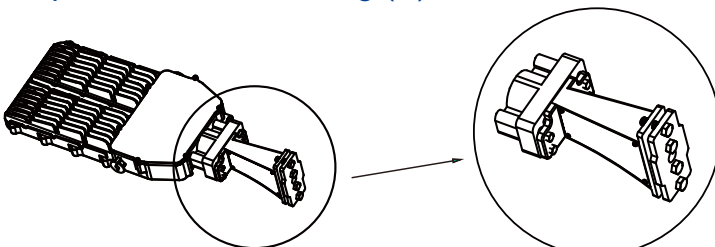
• Accessories



Adapter bracket

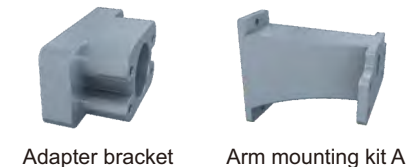
Trunnion mounting kit

• Option 3: Arm Mounting (A)



Adapter bracket & Arm mounting kit A

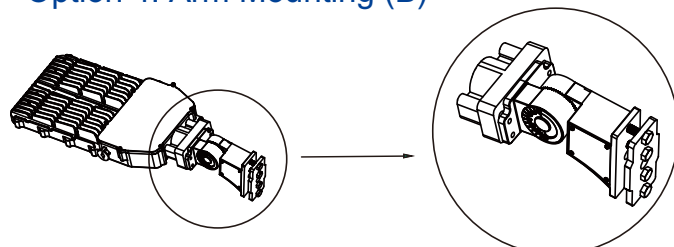
• Accessories



Adapter bracket

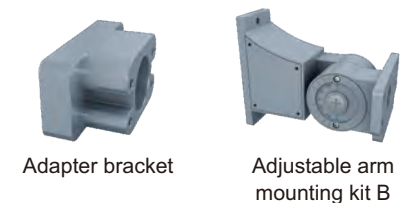
Arm mounting kit A

• Option 4: Arm Mounting (B)



Adapter bracket & Adjustable arm mounting kit B

• Accessories

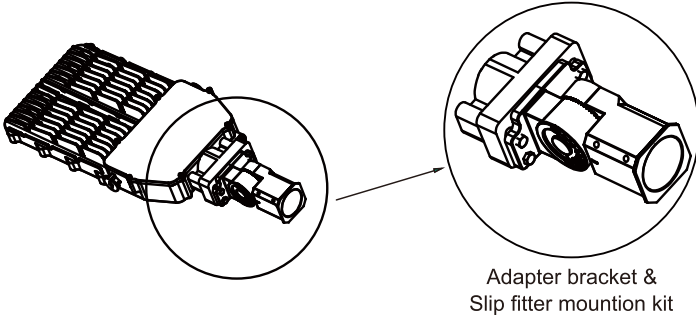


Adapter bracket

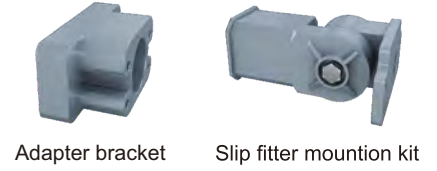
Adjustable arm mounting kit B

Mounting Methods and Accessories

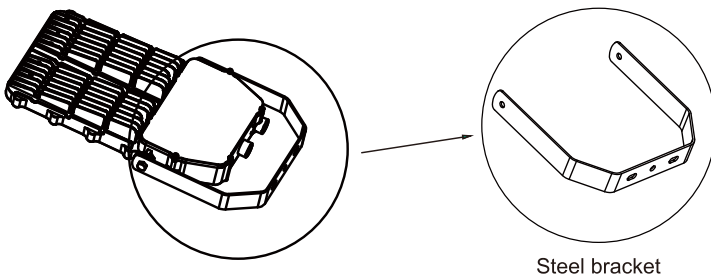
• Option 5: Slip Fitter Mounting



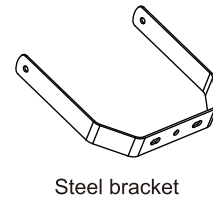
• Accessories



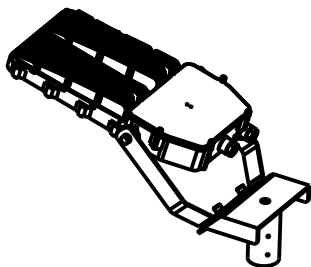
• Option 6: Bracket Mounting



• Accessory



• Option 7: Stanchion Mounting



• Accessory

